

FXP1500-32G

AC-DC Power Supply

FXR-3-32G Power Shelf



The FXP1500-32G is a 1500 watt, power factor corrected (PFC) front-end, which provides a user-adjustable 32 VDC (26-38 VDC range) main output for test & measurement, RF amplifiers and transmitters, factory automation, semiconductor equipment, and other distributed power applications. The FXP1500-32G provides for true hot-swap with AC and DC connections at the rear of the model and can be used for redundant system applications. Its very small dimensions allow configuration of up to three units in a 1U rack (up to 4500 W).² The highly-efficient thermal design with internal fan cooling permits its use in wide operating voltage and temperature ranges to provide very high reliability.

Status information is provided with front panel LEDs, logic signals, and via the I²C management interface. In addition, the I²C bus can enable the power supply, control the fan speed, adjust the output voltage, and set the output current limit.

The FXP1500-32G meets international safety standards and displays the CE-Mark for the European Low Voltage Directive (LVD).

Key Features & Benefits

- 28 VDC, 32 VDC and 36 VDC output voltage preset via VID pins
- Margining via I²C
- Active current/load sharing
- Wide input voltage range 85-264 VAC
- Highly-efficient topology yields 89% at 230 VAC
- 1U high: 5.6" x 1.6" x 12" cassette
- Input fuse protected I²C interface status and control
- High density design: 13.4W/in³
- Up to 4500 W in a 1U-high, 19-inch wide rack
- Standby voltage 5 VDC/1A
- Adjustable output voltage
- Overtemperature, output overvoltage and output overcurrent protection
- ORing circuit for true redundant operation
- Status LEDs: AC OK, DC OK, Fan Fail/Overtemperature Fail
- Auto select power limits

Applications

- Test & Measurement,
- RF Amplifiers & Transmitters
- Factory Automation
- Semiconductor & LD-MOS Based Equipment
- other Distributed Power Applications

North America

+1-866.513.2839

Asia-Pacific

+86.755.29885888

Europe, Middle East

+353 61 225 977

FXP1500-32G

Model Selection

MODEL	INPUT VOLTAGE VAC AUTO SELECTED ¹	OUTPUT 1		OUTPUT 2		RATED POWER W	COMPATIBLE SHELF ²
		I_o nom VDC	I_o max ADC	I_o nom VDC	I_o max ADC		
FXP1500-32G	85 – 264	32	46.9	5	1	1505 ³	FXR-3-32G

- ¹ The available output power is automatically adjusted depending on the input voltage.
² 1U standard rack FXR-3-32G for FXP1500-32G is available from Bel Power Solutions.
³ Automatic derating of main output below 108 VAC to: I_o max = 37.5 A (1200 W).

Absolute Maximum Ratings

Stress in excess of the absolute maximum ratings may cause performance degradation, adversely affect long-term reliability, or cause permanent damage to the converter.

PARAMETER	CONDITIONS/DESCRIPTION	MIN	MAX	UNIT
Input voltage	Continuous Transient, 60 ms max.		264 300	VAC VAC
Operating ambient temperature	$V_{i min} - V_{i max}$, I_o nom, cooling by internal fan 100 % load from 0 to 50°C linear derating to 50% load from 50°C to 70°C	0	70	°C
Storage temperature	Non-Operating	-40	85	°C

Input Specification

Specification is valid for input voltage, load, and temperature ranges, unless otherwise stated.

PARAMETER	CONDITIONS/DESCRIPTION	MIN	NOM	MAX	UNIT
Input Voltage		85	230	264	VAC
Input Frequency		47	50/60	63	Hz
Turn-On Input Voltage	Ramping up	79	-	85	VAC
Turn-Off Input Voltage	Ramping down	70	-	78	VAC
Inrush Current Limitation	115/230 VAC acc. ETS 300 132-1 < 100 ms			50	A _{pk}
Hold-Up Time	After last AC line peak, $V_i = 230$ VAC, P_o nom	20			ms
Power Factor	V_i nom, I_o nom	0.95			W/VA
Efficiency	$V_i = 230$ VAC, V_o nom, I_o nom, $T_c = 25^\circ\text{C}$	89	89.5		%
Max Input Current				20	Arms

FXP1500-32G

Output Specification

Specification is valid for input voltage, load, and temperature ranges, unless otherwise stated.

PARAMETER	CONDITIONS/DESCRIPTION	MIN	NOM	MAX	UNITS	
Total Output Voltage Range	Adjustable via T4, T5 pins & I ² C	26		38	VDC	
Output Voltage Set Point	Adjustable via T4, T5 pins (LL = 28 V, LH = HL = 32 V, HH = 36 V)		28		VDC	
			32		VDC	
			36		VDC	
Output Voltage Trimming	Adjustable via I ² C from any set point. Note: all changes to V _{o1} made via I ² C are volatile and are lost upon power cycling the PSU	-2		+2	VDC	
Overvoltage Protection Latching	28V set point 32V set point 36V set point		35		VDC	
			40		VDC	
			45		VDC	
Nominal Current Output 1	I _{o1 nom} @ V _i = 105 VAC – 264 VAC, P _o 1.5 kW		28V set point	46.9	ADC	
			32V set point	46.9	ADC	
			36V set point	41.7	ADC	
Nominal Current Output 2	I _{o1 nom} @ V _i = 85 VAC – 105 VAC, P _o 1.2 kW		28V set point	42.9	ADC	
			32V set point	37.5	ADC	
			36V set point	33.4	ADC	
Nominal Current Output 2	I _{o2 nom} @ V _i = 85 VAC – 265 VAC, P _o 5 W		1.0		ADC	
Current Limit Output 1	I _{o1 max} @ V _i = 105 VAC – 264 VAC high droop		48.8		ADC	
		hic-cup	50.8		ADC	
			39.0		ADC	
Current Limit Output 1	I _{o1 max} @ V _i = 85 VAC – 105 VAC high droop		41.0		ADC	
		hic-cup				
Current Limit Output 2	I _{o2 max} @ V _i = 85 VAC – 265 VAC		1.3		ADC	
Static Line Regulation Output 1	V _i min - V _i max, 50 % I _o nom	-0.5		0.5	% V _{o nom}	
Static Load Regulation Output 1 (Droop Characteristic)	V _i = 230 V, 0-100 % I _{o nom} V _o : full load (46.9 ADC) to no load		31.68	32	13.6	mV/A
			-1.0		32.32	VDC
Dynamic Load Regulation	Load change 1 % ↔ 100 % I _{o nom} , dI _o /dt = 1 A/μs Voltage deviation (droop + over- or undershoot) Max. recovery time to within 1 % of V _{o1 nom}			+4	% V _{o nom}	
			-4	2000	μs	
Start-Up Time	Time required for output within regulation after initial application of AC-input (V _{i nom} , I _{o nom}) after removal of inhibit (V _{i nom} , I _{o nom})		100	1.5	s	
					ms	
Output Voltage Ripple & Noise	V _{i nom} , I _{o nom} , 20 MHz bandwidth			320	mV _{pp}	
				50	mV _{pp}	
Remote Sense	Total compensation for cable losses			500	mV	
Active Current Share	Difference in current between two units for V _{o1} above 10 % load. Active current share pin with its 1kΩ internal impedance enables control of output voltage. Voltage on this pin is proportional to output current, 2V at I _{o1 nom}			5	ADC	

Protection

PARAMETER	CONDITIONS/DESCRIPTION	MIN	NOM	MAX	UNIT
Input Fuse	Not user accessible		25AF		
Inrush Current Limitation			with NTCs		
Output		No-load, short circuit, and overload proof			
Overvoltage Protection Latching ¹	Absolute		40		V
Over-Temperature Protection	Automatic power shutdown at T _c		95		°C

+1.866.513.2839
tech.support@psbel.com
belpowersolutions.com

FXP1500-32G

Controls and Indicators

PARAMETER	TYPE ⁴	CONDITIONS/DESCRIPTION
Visual Status Indication	FP	LED indicators ⁵ <ul style="list-style-type: none"> • DC OK (green) • AC OK (green) • Fan fail & Over-temperature (amber)
I ² C Communication Bus	OC[S1, S2]	<ul style="list-style-type: none"> • Monitors alarm functions and allows control of specific parameters. • Uses standard Philips two wire bus (SCL and SDA signal lines)
I ² C Communication Bus Addressing	OC[T1-T3]	Three lines provide up to 8 separate PSU I ² C addresses
PS Present Pin	OC[U3]	<ul style="list-style-type: none"> • Used by system to indicate a PSU is installed in a system shelf • Contact closure to logic ground (internal pull-down resistor of 1 kΩ) • TTL compatible signal, inhibited when open contact, high or at TTL logic “1” • Signal referenced to logic return (LRTN)
PS Main Output Remote Shutdown	OC[R1] FP	Two position switch in series with OC signal (logical AND) allows local enable/disable; “0” Position => PS disabled; “1” Position => PS Enabled
Power Supply OK	I ² C	AC OK & DC OK & no overcurrent & no over-temperature & fans working
DC Current Fail	I ² C	Reports over-current condition on main output, I _{O1}
AC Fail / Power Down Warning	OC[U2] & I ² C	<p>Provides a warning that the input power has failed at least 5 ms before the output falls out of regulation (<90% V_{O1} set).</p> <ul style="list-style-type: none"> • Open collector signal with 20 mA pull-down capability, referenced to logic return (LRTN). • AC fail will go high or open during power fail condition and will go low when input is within the operating range. • A Power Fail warning will turn off the front panel green AC OK LED. <p>Internal under-voltage and overvoltage supervision of V_{O1}.</p> <ul style="list-style-type: none"> • Open collector signal with 20 mA pull-down capability, referenced to logic return (LRTN).
DC fail / Output Voltage Fault	OC[U4] & I ² C	<ul style="list-style-type: none"> • DC fail will go high or open if V_{O1} < 90% or V_{O1} > 110% of V_{O1} set, measured in front of the ORing FETs. • Green LED on the front panel indicates normal operation; LED will flash if in parallel operation V_{O1} is OK, but the unit is disabled.
Critical Temperature Warning/Fan Fail	OC[U1] & I ² C	<p>Indicates the PSU operating temperature has reached [T_{shut-down} – 10K] Indicates if the unit is in over-temperature shutdown.</p> <ul style="list-style-type: none"> • Open collector signal with 20 mA pull-down capability, referenced to logic return (LRTN). • The OC-output will go low 100 ms before an over-temperature condition shuts down the unit. • An amber LED on the front panel indicates over-temperature or fan fail.
DC Voltage Monitoring	I ² C	Monitors the main output voltage, V _{O1} , seen at the output connector. Accuracy is ±1% over setting range and temperature.
DC Current Monitoring	I ² C	Monitors the output current I _{O1} : Accuracy ± 1% over the load range.
Active Current Share Interconnect	OC[R4]	Line must be connected to all paralleled PSUs to allow active current share functionality between units
V _{O1} Presets	OC[T4,T5]	<p>Output voltage is preset per programming of T4, T5</p> <ul style="list-style-type: none"> • T4/T5 = LOW / LOW => V_{O1}=28VDC • T4/T5 = LOW / HIGH = HIGH / LOW => V_{O1}=32VDC • T4/T5 = HIGH / HIGH => V_{O1}=36VDC
V _{O1} Voltage Trimming (Margining)	I ² C	<p>Output voltage trimming V_{O1}: ±2 VDC</p> <p>Setting accuracy over I²C: ± 50mV at V_{O1}nom, ± 150 mV over setting range</p>
Fan Speed Control	I ² C	Two fan speed levels automatically set depending on the internal temperature. The fan speed can be set to full speed or automatic control via I ² C command.
Fan OK/FAIL	OC[U1] & I ² C	Indicates if the cooling fans are operating or have failed.
Synchronized Startup Pin	OC[R5]	Overcurrent signal which can be used for synchronous startup of units in parallel or to recover from an overload condition.

⁴ Abbreviations used:

OC[#] => Hardwired signal accessible at PSU output connector, with pin number reference

FP => Provided by devices located on PSU Front panel

I²C => Signal provided over I²C communication system.

Detailed I²C information is available from the specific model's I²C Manual found on the Bel Power Solutions web site.

⁵ See LED Function table for further details

+1.866.513.2839

tech.support@psbel.com

belpowersolutions.com

FXP1500-32G

Environmental, Mechanical & Reliability Specifications

PARAMETER	CONDITIONS/DESCRIPTION	MIN	NOM	MAX	UNIT
Altitude	Operating			10 k	ASL Ft.
	Non-Operating			40 k	ASL Ft.
Relative Humidity, Non-Condensing	Operating	10		90	% RH
	Storage	5		95	% RH
Temperature Coefficient	0 °C to 70 °C (after 15 min warm-up)			0.02	%/K
Shock	IEC/EN 60068-2-27, 11 ms			40	g _{pk}
	IEC/EN 60068-2-6				
Sinusoidal Vibration	2-8 Hz		7.5		mil
	8-200 Hz		2		g _{pk}
	200-500 Hz		4		g _{pk}
Random Vibration	10-2000 Hz		6.15		grms
MTBF	Calculated per Bellcore (SR-332, Issue 1):				
	GB 25°C Demonstrated	230			kh kh
		250			

Safety Specifications

Maximum electric strength testing is performed in the factory according to EN50514, IEC/EN60950-1 2nd ed. and UL/CSA60950-1 2nd ed. Input-to-output electric strength tests should not be repeated in the field. Bel Power Solutions will not honor any warranty claims resulting from electric strength field tests.

PARAMETER	CONDITIONS/DESCRIPTION	MIN	NOM	MAX	UNIT
Agency Approvals	Approved to the latest edition of the following standards: CSA/UL60950-1, EN60950-1 and IEC60950-1; CE Mark for LVD				
Insulation Safety Rating	Input to case			Basic	
	Input to output			Reinforced	
	Output to case			Functional	
Electric Strength Test Voltage	Input to case	2.121			kVDC
	Input to output	Note ⁶			kVDC
	Output to case	0.1			kVDC
	Output 1 to output 2	0.1			kVDC

⁶ Subassemblies are pre-tested with 4.2 kVDC in accordance with EN50514 and IEC/EN60950-1 2nded.

EMC Specification

PARAMETER	DESCRIPTION	CRITERION
Electrostatic Discharge	IEC/EN 61000-4-2, level 4 (contact/air)	8/15 kV, Performance criterion B
Electromagnetic Field	IEC/EN 61000-4-3, level 3	10 V/m, Performance criterion A
Electrical Fast Transients/Burst	IEC/EN 61000-4-4, level 3 (L/L, L/E)	2 / 1 kV, Performance criterion B
Surge	IEC/EN 61000-4-5, level 3 (L/L, L/E)	1 / 2 kV, Performance criterion B
Voltage Dips & Interruptions	IEC/EN 61000-4-11	
	Dip 30 %, 100 ms	Performance criterion A
	Dip 30 %, 200 ms	Performance criterion B
	Dip 60 %, 20 ms	Performance criterion A
	Dip 60 %, 100 ms	Performance criterion B
	Dip > 95 %, 20 ms	Performance criterion A
	Dip > 95 %, 100 ms	Performance criterion B
RF Conducted Immunity	IEC/EN 61000-4-6	10 VAC, AM 80 %, 1 kHz Performance criterion A
Emissions Conducted	CISPR 22/EN 55022/EN 61204	Class B
Emissions Radiated	CISPR 22/EN 55022/EN 61204	Class A
Harmonics	IEC/EN 61000-3-2	Class B
Voltage Fluctuation & Flicker	IEC/EN 61000-3-3	Pass
Voltage Sag	SEMI F47-0200 (High Line 230V)	Pass

+1.866.513.2839

tech.support@psbel.com

belpowersolutions.com

FXP1500-32G

Output Connector Pinning and Signal Specification

OUTPUT CONNECTOR DESCRIPTION	OC PIN #	TYPE	SIGNAL REFERENCE	LOW LEVEL HIGH LEVEL	V MAX I MAX
Over-temperature / Fan Fail	U1	OC-output, protected by 16 V Zener diode and a 10Ω resistor in series	LGND	<0.4 V @ 20 mA Pull up	15 V 20 mA
AC Fail / Power Down Warning	U2			<0.4 V @ 20 mA Pull up	15 V 20 mA
Power Supply Present	U3	1KΩ Resistor connected to logic GND	LGND	Open Pull up	10 V 10 mA
DC Fail / Output Voltage Fault	U4	OC-output, protected by 16 V Zener diode and a 10Ω resistor in series	LGND	<0.4V @ 20 mA Pull up	15 V 20 mA
Internal Ground (INT GND)	U5	Used only for ADDR _x and V _{O1} set. Do not connect the internal grounds in systems with several units.	Connected to V _{O1} - line before the output filter	-	-
ADDR0 I2C Address Bus	T1	High = internal 10 KΩ PU to 5V=> Logic 1 Low = connect to INT GND => Logic 0	INT GND	Logic 1 Logic 0	5V 0V
ADDR1 I2C Address Bus	T2				
ADDR2 I2C Address Bus	T3				
VO1 set	T4				
VO1 set	T5				
SDA, I2C Serial Data Line	S1	I ² C compatible signal referenced to logic GND 5 V or 3.3 V logic	LGND	Logic 1 Logic 0	5V 0V
SCL, I2C Serial Clock Line	S2				
Auxiliary Power +5 V	S3	V _{O2+} output, isolated from main output	Aux output is floating	-	-
Auxiliary Power +5 VRTN	S4	Aux output return; ground isolated from main output			
Logic Ground (LGND)	S5	Internally connected to Aux GND through 10Ω resistor. Wire LGND separately from Aux RTN and main output GND to minimize noise on signals and I ² C bus. Leave open if not used.	-	-	-
Output Inhibit R1	R1	PS active when pulled low (DC-DC stage off when left open)	LGND	<0.8 V >2.0 V	10 V 3.5 mA
V Sense +	R2	Open or connected to V _{O1+} at the load Internally connected to V _{O1+} via 100 Ω.	-	-	dV<3 Vpp 30 mA
V Sense -	R3	Open or connected to V _{O1-} at the load Internally connected to V _{O1-} via 100 Ω.	-	-	dV<3 Vpp 30 mA
Active Current Share	R4	This pin must be interconnected to pin R4 of all other paralleled PSUs for proper operation of active current share function	-	-	2V
Synchronized Startup (for paralleled units)	R5	Open or connected to synch startup circuit	V _{O1} - at the OC		12V 2mA
V _{O1-}	P1, P3, P5	Main output - pins	-	-	-
V _{O1+}	P2, P4, P6	Main output + pins	-	-	-
INPUT CONNECTOR DESCRIPTION	OC PIN #	TYPE			
Protection Earth	P1	PE			
Phase	P2	L			
Neutral	P3	N			

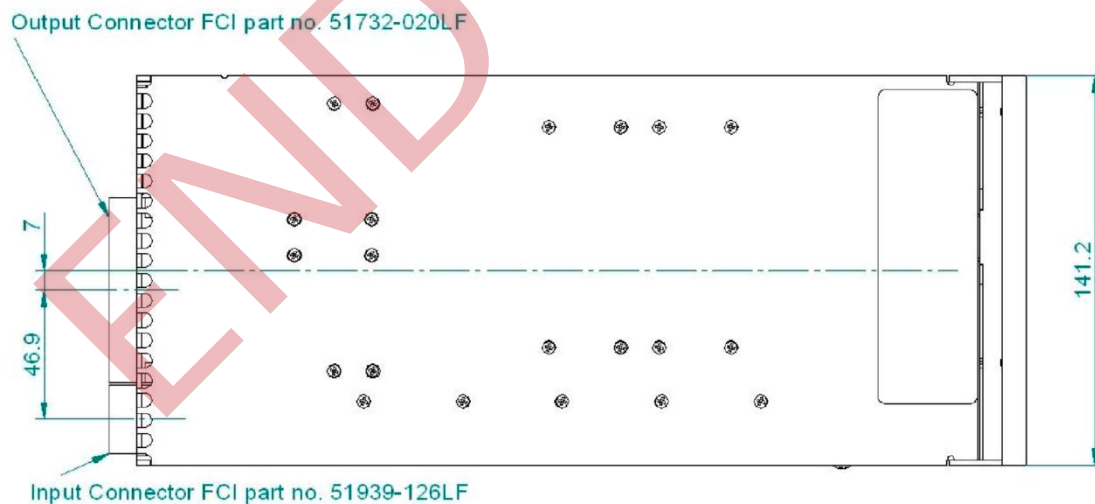
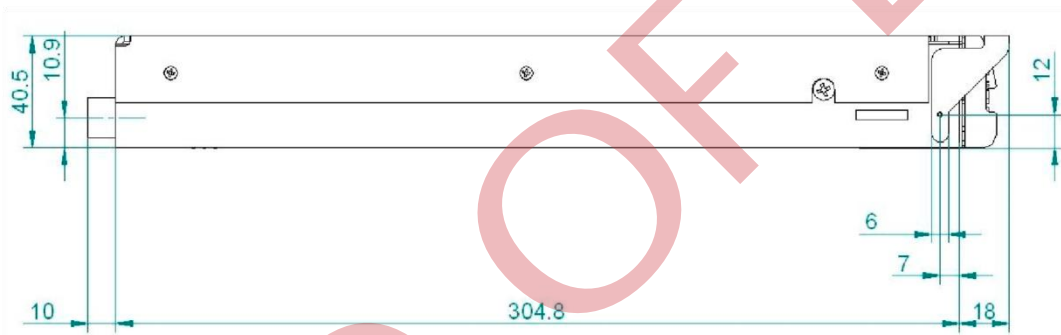
FXP1500-32G

LED Indicator Functionality

CONDITION	POWER FAIL (AC OK)	OUTPUT GOOD (DC OK)	FAN FAIL AND OVER - TEMPERATURE
Normal Operation	Green	Green	OFF
Power Supply is Inhibited	Green	OFF	Amber
Input AC is Low	OFF	OFF	Amber
Input AC is Low or Missing	OFF	OFF	Amber/OFF
Over-Temperature	Green	OFF	Amber
Output Overload (In regulation)	Green	Green	OFF
Output Overloaded (Out of Regulation)	Green	OFF	OFF
Fan Not Running	Green	OFF	Amber
Power Supply Failed	OFF	OFF	OFF/ Amber

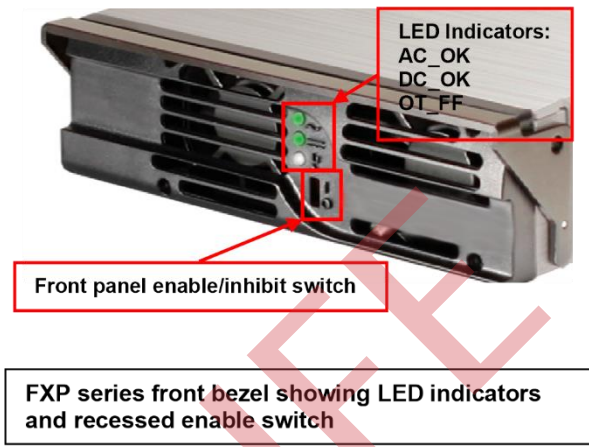
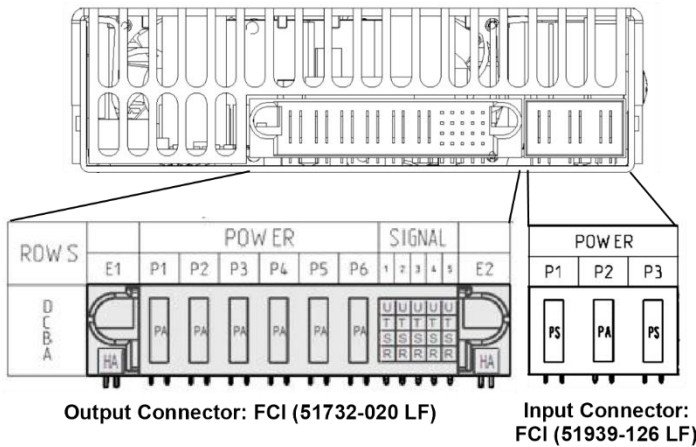
Mechanical Data

Mechanical Dimensions (W x H x D): 5.6" (141.2 mm) x 1.6" (40.5 mm) x 12" (304.8 mm)



FXP1500-32G

Input & Output Connector Description



Female ledge connector: Manufacturer: FCI
 Output connector Part No.: 51762-106020000AA LF (Horizontal)
 Output connector Part No.: 51742-106020000AA LF (Vertical)
 Input connector Part No.: 51915-056LF (Horizontal)
 Input connector Part No.: 51940-099LF (Vertical)
 Information on availability under <http://www.stkcheck.com/evs/fcielectronics/fcisearch.asp>

Paralleling Front-Ends

For parallel use in minimal configuration systems, only the inhibit pins must be shorted to logic GND. All other pins can be left open. The power supplies will share the output current automatically (droop current share). For parallel applications without I²C bus, but the use of all other features, it is recommended to connect all logic GND's on a backplane together, to connect all V_{o2-}, all V_{o2+} and to leave the internal GND's open. The sense wires can be left open or connected to a common load point, the synch-start pin can be left open or connected to a synch-start circuit, the inhibit pins can be connected together or used individually. All I²C signals (T1-T5, S1, and S2) can be left open. Use of a small foil capacitor > 3μF directly at the power outputs of each unit is recommended in order to prevent voltage drops at the hot plug. For additional information on paralleling see the following Rack (Power Shelf) section.

Cooling

To achieve best cooling results sufficient airflow through the unit must be ensured. Do not block or obstruct the airflow at the rear of the unit by placing large components directly at the output connector.



FXP1500-32G

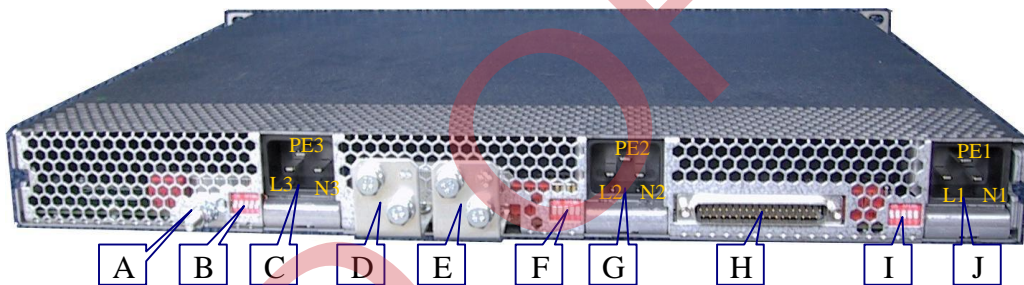
FXR-3-32G Power Shelf

- Each rack (power shelf) is 1U high with backplane and designed for up to three front-end models in parallel or in n+1 operation. Each power shelf has:
- Generous copper bus bars for low-loss current distribution.
- Output terminals with two M4-screws on each power tab.
- Two fast-on contacts for system earthing.
- Address coding over five pole DIP switch on each unit, 37-pin D-Sub connector with I²C-lines, monitoring signals and support functions.
- Provides a start-up synchronization circuit and EMV filters.
- Overall Mechanical Dimensions (W x H x D): 17.7" (449.6 mm) x 1.7" (43.1 mm) x 14" (355.6 mm)



FXR-3-32G Power Shelf Front View

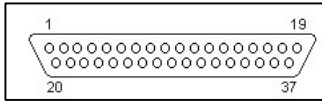
Output Connector Descriptions (FXR-3-32G)



LOCATION	DESCRIPTION	
A	Earth connection	
B	5-bit DIP switch, pins 1,2,3 for I ² C addressing and pins 4,5 for Vo setting of PSU #3	
C	Mains connector of PSU #3	
D	Output 1 Minus	
E	Output 1 Plus	
F	5-bit DIP switch, pins 1,2,3 for I ² C addressing and pins 4,5 for Vo setting of PSU #2	
G	Mains connector of PSU #2	
H	37-pin SUB-D connector, control, sense, check and Auxiliary power (Output 2)	
I	5-bit DIP switch, pins 1,2,3 for I ² C addressing and pins 4,5 for Vo setting of PSU #1	
J	Mains connector of PSU #1	

FXP1500-32G

SUB-D Output Connector Pinout and Signal Specification



OUTPUT CONNECTOR DESCRIPTION	OC PIN	TYPE	SIGNAL REFERENCE	LOW LEVEL HIGH LEVEL	V MAX I MAX
Over-temperature / Fan Fail PSU1	1	OC-output, protected by 16 V Zener diode and a 10 Ω resistor in series	LGND	<0.4 V @ 20 mA Pull up	15 V 20 mA
Power Supply Present PSU 1	2	Resistor (1 k Ω) connected to LGND	LGND	Open Pull up	10 V 10 mA
Power Supply Present PSU 2	3				
Spare	4				
Over-temperature / Fan Fail PSU 3	5	OC-output, protected by 16 V Zener diode and a 10 Ω resistor in series	LGND	<0.4 V @ 20 mA Pull up	15 V 20 mA
AC Fail / Power down warning PSU 3	6				
Power Supply Present PSU 3	7	Resistor (1 k Ω) connected to logic GND	LGND	Open Pull up	10 V 10 mA
DC Fail / Output voltage fault PSU 3	8	OC-output, protected by 16 V Zener diode and a 10 Ω resistor in series	LGND	<0.4 V @ 20 mA Pull up	15 V 20 mA
Overtemperature / Fan Fail PSU 2	9				
Synch._Start_A	10	Sync_start_A , Active high The signals of several racks can be connected together in such a way that all supplies will be inhibited until the last supply has recovered from its overcurrent condition	LGND	<7V off < 9V	15V 10mA
Open	11				
Output inhibit PSU 1-3	12	DC-DC stage ON when pin is open or connected to LGND DC-DC stage OFF when pin is connected on high potential	LGND	<0.8 V >2.0 V	10 V 3.5 mA
V sense +	13	Open or connected to V ₀₁₊ at the load Internally (PSU) connected to V ₀₁₊ over 100 Ω	V ₀₁₊		dV < 3 Vpp 30 mA
V sense -	14	Open or connected to V ₀₁₋ at the load Internally (PSU) connected to V ₀₁₋ over 100 Ω	V ₀₁₋		dV < 3 Vpp 30 mA
Open	15				
NC	16				
NC	17				
NC	18				
NC	19				
AC Fail/ Power-down warning PSU 1	20	OC-output, protected by 16 V Zener diode and a 10 Ω resistor in series	LGND	<0.4 V @ 20 mA Pull up	15 V 20 mA
DC Fail/ Output voltage fault PSU 1	21				
AC Fail/ Power-down warning PSU 2	22				
DC Fail/ Output voltage fault PSU 2	23				
SDA, I ² C data line	24	I ² C compatible signal	LGND	5 V or 3.3 V logic	
SCL, I ² C clock line	25	I ² C compatible signal	LGND	5 V or 3.3 V logic	
V ₀₂₊ = +5 V (Auxiliary power)	26	V ₀₂₊ Aux output, insulated from main output	Aux output is isolated supply		
V ₀₂₋ = +5 VRTN (Auxiliary power)	27	V ₀₂₋ Aux output, insulated from main output			

+1.866.513.2839
tech.support@psbel.com
belpowersolutions.com

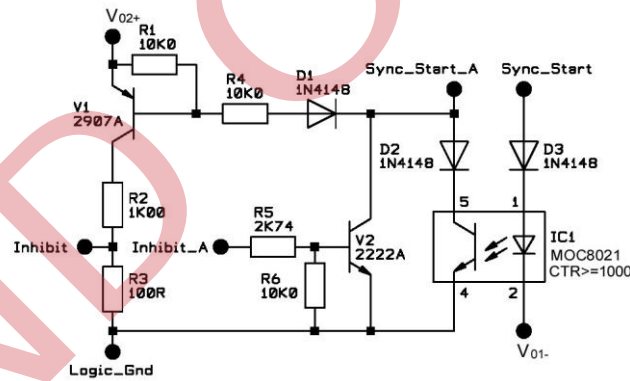
FXP1500-32G

Logic Gnd (LGND)	28	Wire separately from auxiliary and main output GND to minimize noise and avoid voltage drops on signal- and I ² C return. Leave open if not used.	Internally connected to V _{O2-} Auxiliary GND via 10 Ω		
Active current share	29	This pin must be interconnected to all other parallel shelves for proper operation of active current share function.			2V
NC	30				
NC	31				
NC	32				
NC	33				
NC	34				
Internal Ground PSU1	35	Used only for ADDR _x and V _{O1} set. Do not connect the internal grounds in the system with several units.	Connected to V _{O1-} line before the output filter		
Internal Ground PSU2	36				
Internal Ground PSU3	37				

Synchronized Start-Up Circuit for Paralleling Operation

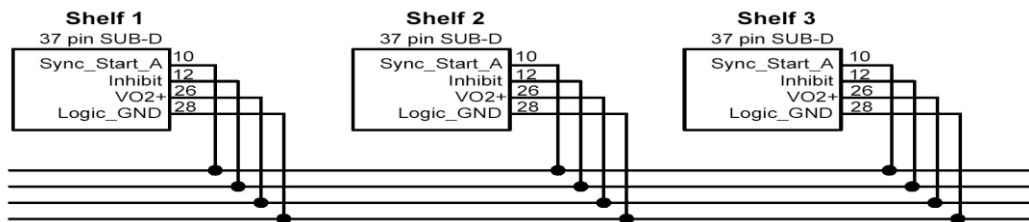
The FXP1500-32G power supply exhibit an overcurrent hiccup behavior. This means if either of these supplies reaches an overcurrent limit, the output voltage will immediately turn OFF and after a delay turn ON again. In parallel use, all power supplies have to start synchronized because of the internal hiccup behavior. Otherwise, the supply which has reached overcurrent first will go to hiccup; this will overload the other supplies, which then will also go to hiccup. When the first supply has recovered from hiccup (hiccup dead time), the others remain in hiccup. This will immediately drive the first one into hiccup once again. This means that without a start-up circuit, a system with several power supplies can never recover from an overload condition or start-up into full load.

The following additional circuit, required to reach synchronized startup, is already implemented inside the FXR-3-32G shelf.



Synch Start-up Connection between Shelves

The following connection between the shelves is required to achieve a parallel operation. The synch-start circuits inside the shelves inhibit all power supplies until the last one has recovered from its overcurrent condition and then synchronize the restart of the outputs.



+1.866.513.2839

tech.support@psbel.com
belpowersolutions.com

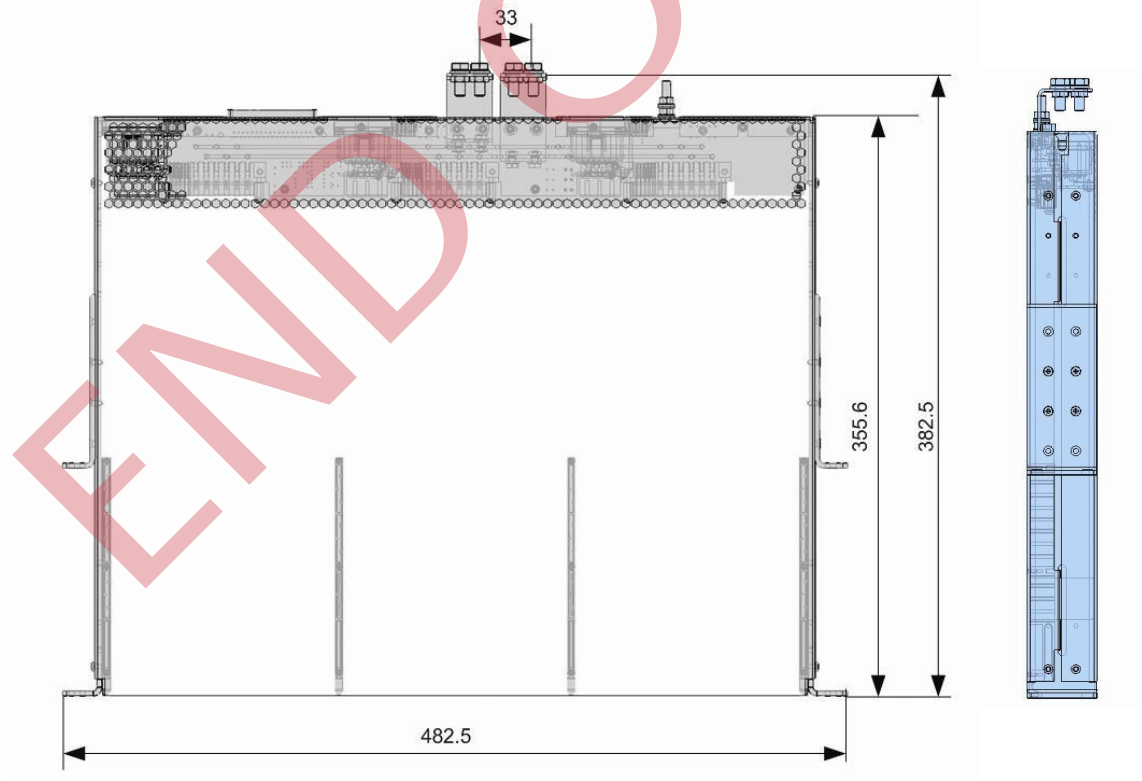
FXP1500-32G

Synch Start-up Circuit Description

DESCRIPTION	PIN LOCATION, DEFINITION	TYPE	SIGNAL REFERENCE	LOW LEVEL HIGH LEVEL	V MAX I MAX
Auxiliary power +5 V (Output 2)	26	V _{O2+} , Aux output, insulated from main output			
Logic ground	28	Logic_GND, Internally connected over 10 Ω to V _{O2-} , (Auxiliary power ground (Output 2))	Internally connected over 10 Ω to V _{O2-}		
Output inhibit_A PSU 1-3	12	Inhibit_A, DC-DC stage ON when pin is open or connected to LGND DC-DC stage OFF when pin is connected on high potential	LGND	<0.8 V >2.0 V	10 V 3.5 mA
Synch. Startup 1 PSU 1-3	R5 (at PSU OC)	The synch_start pin is connected to the over-current signal of the PSU1-3. In the case of an overcurrent shutdown, this signal goes high.	Vo1-	<7V off > 9V	15V 10mA
Synch. Startup_A Rack FXR-3-32G 1-N Pin on the D-Sub connector on the backplane	10	Sync_start_A, Active high The signals of several racks can be connected together in such a way that all supplies will be inhibited until the last supply has recovered from its overcurrent condition.	LGND		

NOTE: The Sync-Start pins can be wired together only if the power supplies are connected with a minimal voltage drop on power ground as achieved on a backplane with massive copper bus bars. If there is a less ideal connection, it is recommended to use an opto-coupler for each unit (IC1, D3, D2).

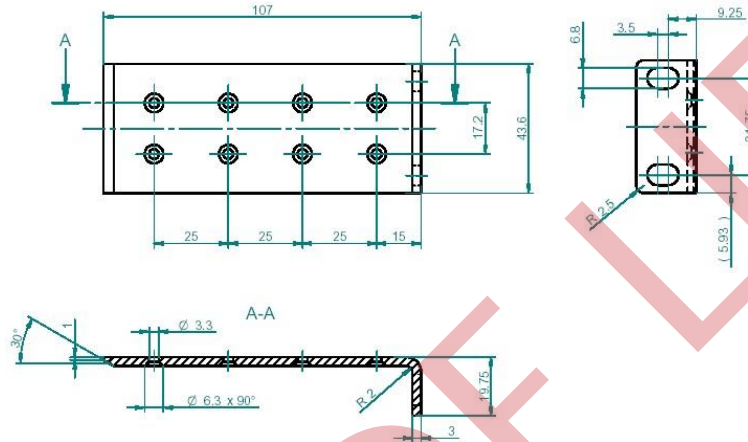
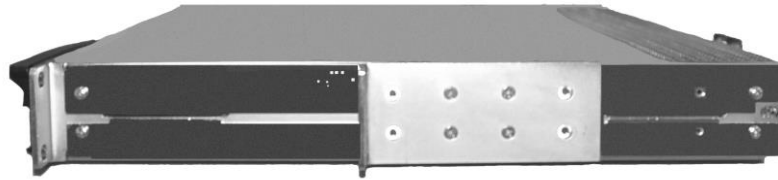
Mechanical Data (FXR-3-32G Power Shelf)



FXP1500-32G

Accessories

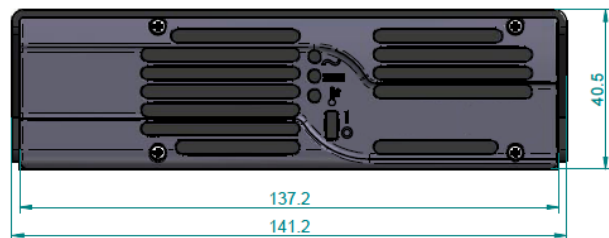
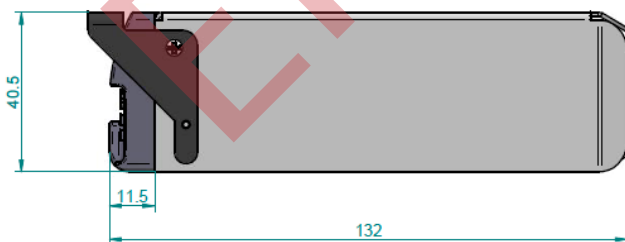
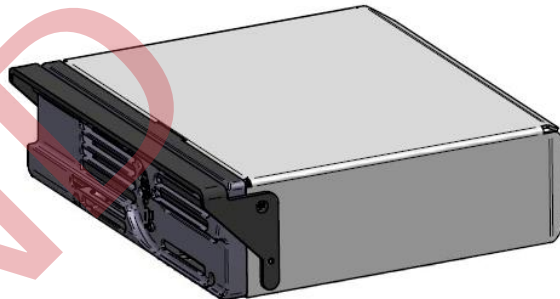
Center Angular Brackets are set in the middle for shelf mounting:



Center Angular Bracket sets can be ordered: Bel Power Solutions part no.: HZZ01222

Note: Each Center Angular Bracket set contains 2 brackets and 8 screws.

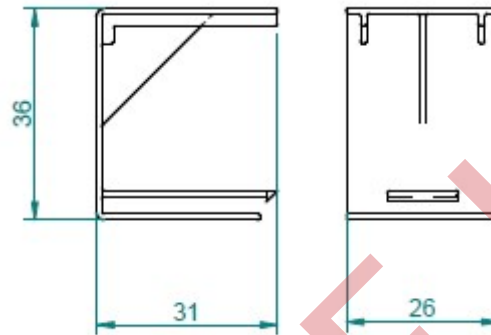
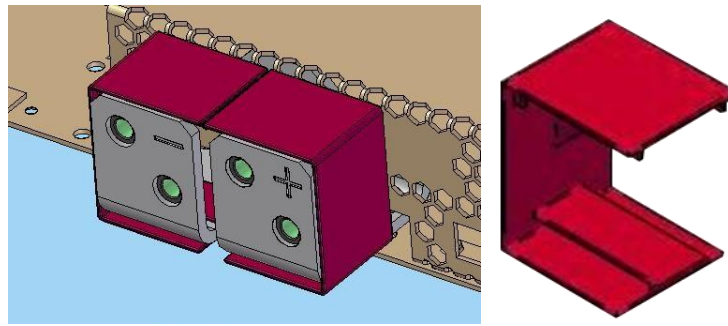
Filler for covering of the empty shelf slots



Filler can be ordered: Bel Power Solutions part no.: XAK.00043.0

FXP1500-32G

Plastic cover set for the bus bars:



Plastic cover set can be ordered: Bel Power Solutions part no.: XEB.00031.0

Note1: Available upon special request.

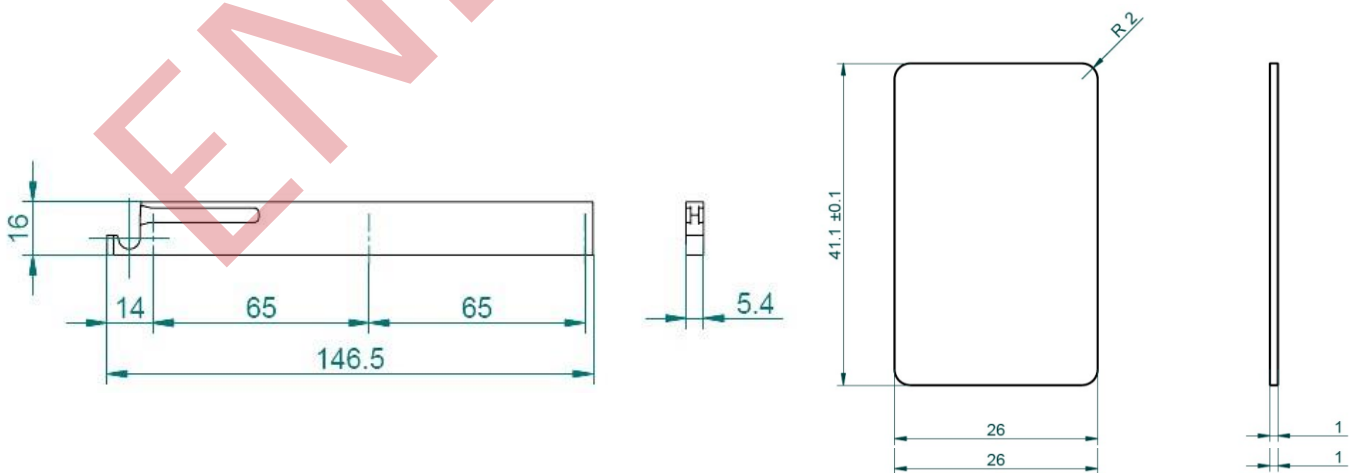
Note2: Each plastic cover set contains 2pcs.

Fulcrum

The handle has been designed to allow easy plug-in and -out in a rack system. The handle (lever) fits into a counter piece (fulcrum) which is fixed to the bottom of the rack. During the plug, the fulcrum holds the unit down and guides it towards the output connector. The Bel Power Solutions part number of the fulcrum and its associated mounting accessories is: HZZ01223.

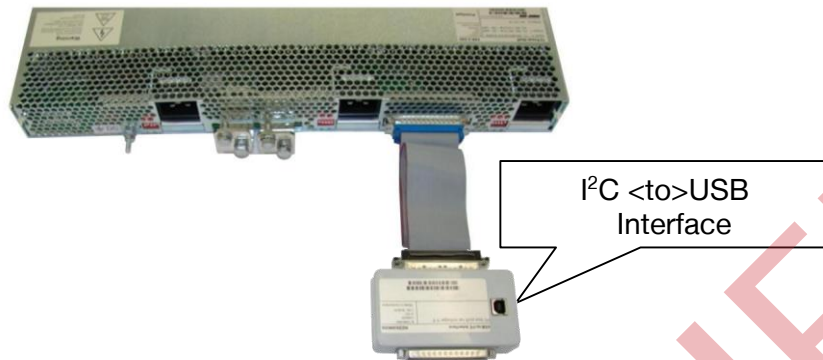
Individual fulcrum sets can be also ordered: Bel Power Solutions part no.: HZZ01223.

Note: Each HZZ01223 set contain 2 fulcrums, 2 supports, and mounting accessories.



FXP1500-32G

I²C to USB Interface HZZ02002G



I²C Management Software: All FNP and FXP front-ends can be controlled via Bel Power Solutions GUI-driven I²C Management software and an I²C-to-USB interface (P/N HZZ02002G). An I²C Programming Manual describes the complete range of parameters that can be programmed to the FXP1500/1800 front-ends. This manual is available by searching on "FXP1500" at www.belpowersolutions.com.

For more information on these products consult: tech.support@psbel.com

NUCLEAR AND MEDICAL APPLICATIONS - Products are not designed or intended for use as critical components in life support systems, equipment used in hazardous environments, or nuclear control systems.

TECHNICAL REVISIONS - The appearance of products, including safety agency certifications pictured on labels, may change depending on the date manufactured. Specifications are subject to change without notice.