

THE INFORMATION CONTAINED HEREIN IS CONSIDERED PROPRIETARY TO BEL FUSE INC. AND SHALL NOT BE COPIED, REPRODUCED OR DISCLOSED WITHOUT THE WRITTEN APPROVAL OF BEL FUSE INC.

ELECTRICAL CHARACTERISTICS @ 25°C

TURNS RATIO

- TP1 1CT : 1CT #2%
- TP2 1CT : 1CT #2%
- TP3 1CT : 1CT #2%
- TP4 1CT : 1CT #2%

DCL @ 100kHz/100mVRMS

- (-40°C - +85°C) 180µH MIN.
- (-40°C - +85°C) 120µH MIN.

- INS. LOSS 19mA DC BIAS (-40°C - +85°C)
- 1MHZ TO 150MHZ -0.004<fMHz>-0.4 dB MAX

RET. LOSS

- 1MHZ-40MHZ -20 dB MIN
- 40.1MHZ-150MHZ -20+15LOG<f/40MHZ> dB MIN

CROSSTALK

- 1MHZ - 40MHZ -35 dB MIN
- 40.1MHZ-150MHZ -35+15LOG<f/40MHZ> dB MIN
- CM TO CM REJ 1MHZ - 150MHZ -25 dB MIN

HIPOT (Isolation Voltage): 2250 VDC

100% OF PRODUCTION TESTED TO COMPLY WITH IEEE 802.3 ISOLATION REQUIREMENTS.

NOTE: PORT-TO-PORT ISOLATION NOT INCLUDED .

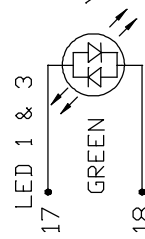
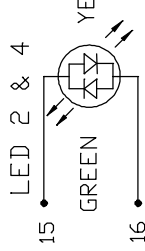
BALANCED DC LINE CURRENT 600mA MAX. CONTINUOUS
1.2A MAX. FOR 200 MILLISECONDS

LED 1 & 2 & 3 & 4

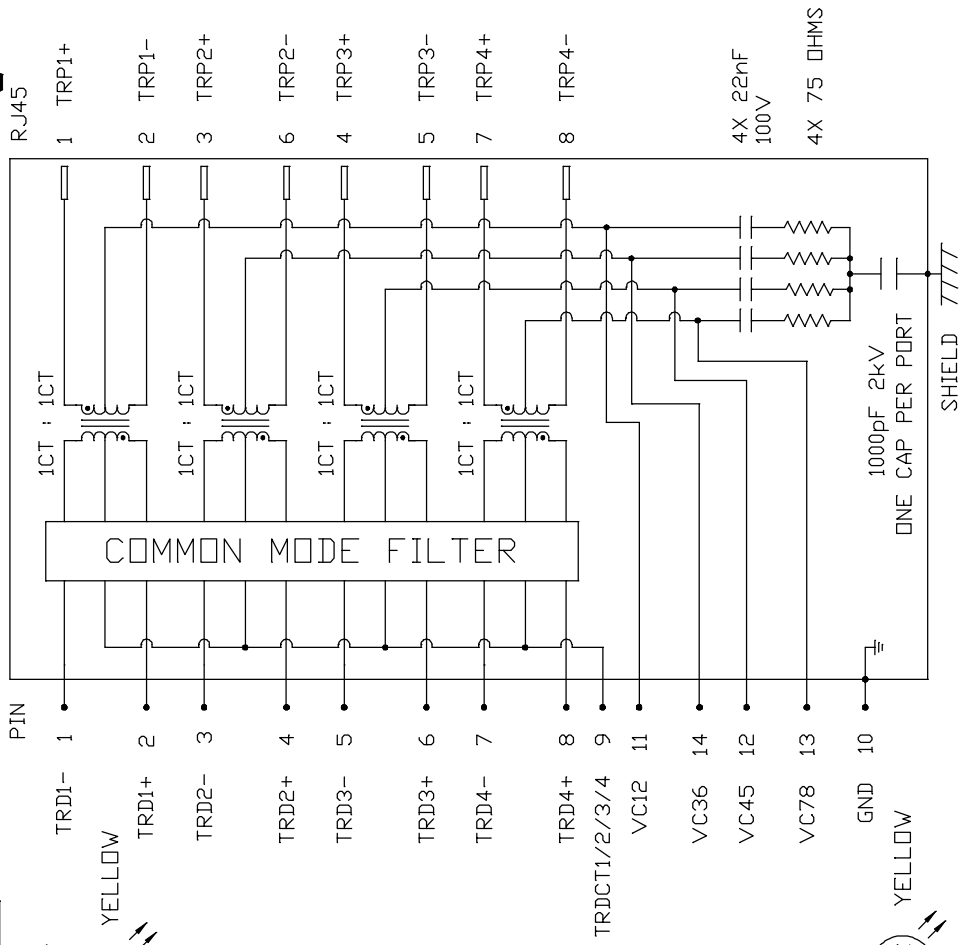
- Vf (FORWARD VOLTAGE) IF=20mA GREEN 2.2V TYP.
YELLOW 2.1V TYP.
- λ D (DOMINANT WAVELENGTH) IF=20mA GREEN 570nm TYP.
YELLOW 590nm TYP.

OPERATING TEMPERATURE: -40°C TO +85°C.

| LED 2 & 4 POLARITY | | LED 1 & 3 POLARITY | |
|--------------------|--------|--------------------|--------|
| PIN 15 | PIN 16 | PIN 17 | PIN 18 |
| + | - | + | - |
| YELLOW | YELLOW | GREEN | GREEN |

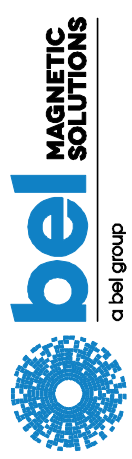


SCHEMATIC.



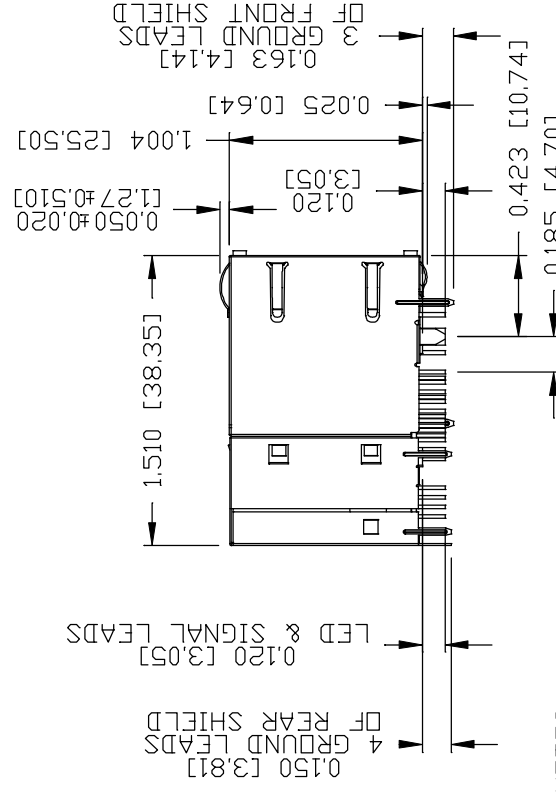
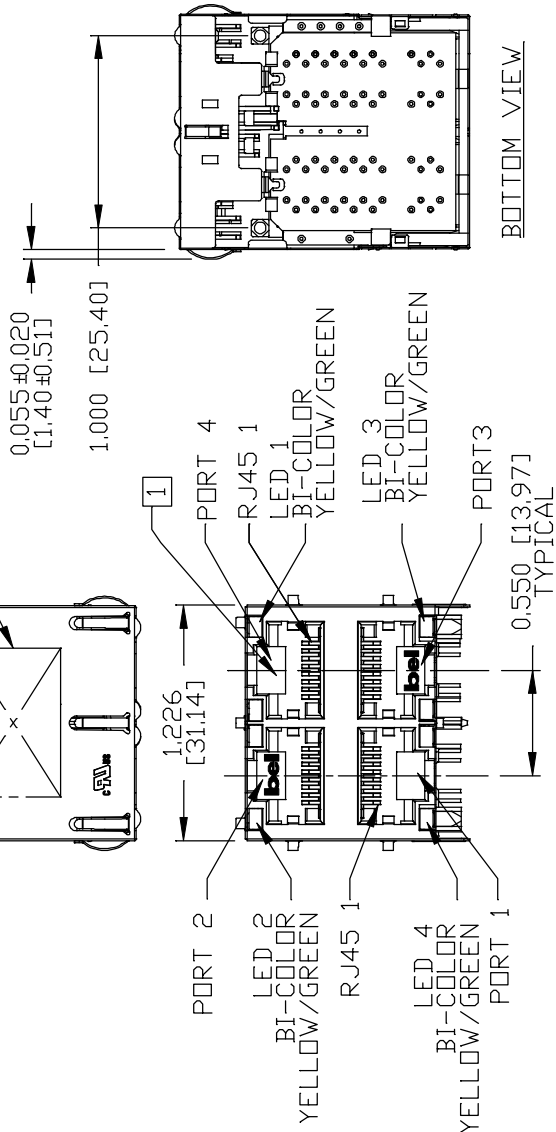
| | |
|---------------------------------------|---|
| ORIGINATED BY CHOW WANCHUNG | TITLE 2X2 2.5 gigabit MagJack® 4Ppoe |
| DATE 2019-06-14 | PATENTED |
| DRAWN BY XIE YIMING | |
| DATE 2019-06-14 | |

| | | |
|---|---|---|
| PART NO. / DRAWING NO. 0895-2C2J-JD | STANDARD DIM. TOL. IN INCH .X .XX .XXX | [] METRIC DIM. AS REF. UNIT : INCH [mm] SCALE : N/A |
| FILE NAME 0895-2C2J-JD_A,D,W,G | SIZE : A4 | |



This document is electronically generated. This is a controlled copy if used internally

THE INFORMATION CONTAINED HEREIN IS CONSIDERED "PROPRIETARY" TO BEL FUSE INC. AND SHALL NOT BE COPIED, REPRODUCED OR DISCLOSED WITHOUT THE WRITTEN APPROVAL OF BEL FUSE INC.



NOTES:

1. JACK CAVITY CONFORMS TO FCC RULES AND REGULATIONS, PART 68 SUBPART F.

2. MARK PART WITH MFG LOGO, PART NUMBER, DATE CODE, MFG NAME AND PATENTED.

3. THE PRODUCT IS RoHS COMPLIANT.

4. REVERSED POLARITY OF GENERAL 'C' LED.

5. THE PRODUCT IS PATENTED, THE PATENT NUMBER ARE U.S. PAT. 6,840,817 AND U.S. PAT. 7,123,117.

6. THE PART IS RECOMMENDED FOR WAVE SOLDERING, THE SUGGESTED PEAK WAVE SOLDERING CONDITION IS 260°C MAX AND 10 SECONDS MAX.

PLASTIC HOUSING: THERMOPLASTIC PBT, BLACK
 FLAMMABILITY RATING UL 94V-0
 CONTACT PLATING: 50 MICRO-INCH HARD GOLD PLATING OR EQUIVALENT.
 OUTPUT PINS: TIN-COATED COPPER WIRE, DIA 0.018 INCH.
 100 MICRO-INCH MIN MATTE TIN.
 PINS ARE SOLDER DIPPED.
 METAL SHIELD: NICKEL PLATED ON COPPER ALLOY.
 (ALL GROUND LEADS ARE SOLDER DIPPED)

| | | | |
|--------|---|--------|---|
| REV. : | A | PAGE : | 3 |
|--------|---|--------|---|

| | |
|---------------|------------------|
| STANDARD DIM. | [] METRIC DIM. |
| TOL. IN INCH | AS REF. |
| .X | UNIT : INCH [mm] |
| .XX | SCALE : N/A |
| .XXX | SIZE : A4 |

| | |
|------------------------|--------------------|
| PART NO. / DRAWING NO. | 0895-2C2J-JD |
| FILE NAME | 0895-2C2J-JD_A.DWG |

| | |
|-------|---|
| TITLE | 2X2 2.5 gigabit MagJack® 4PPoE PATENTED |
|-------|---|

| | |
|---------------|------------|
| ORIGINATED BY | ANTON LIAO |
| DATE | 2019-06-14 |
| DRAWN BY | LI GUANKUN |
| DATE | 2019-06-14 |

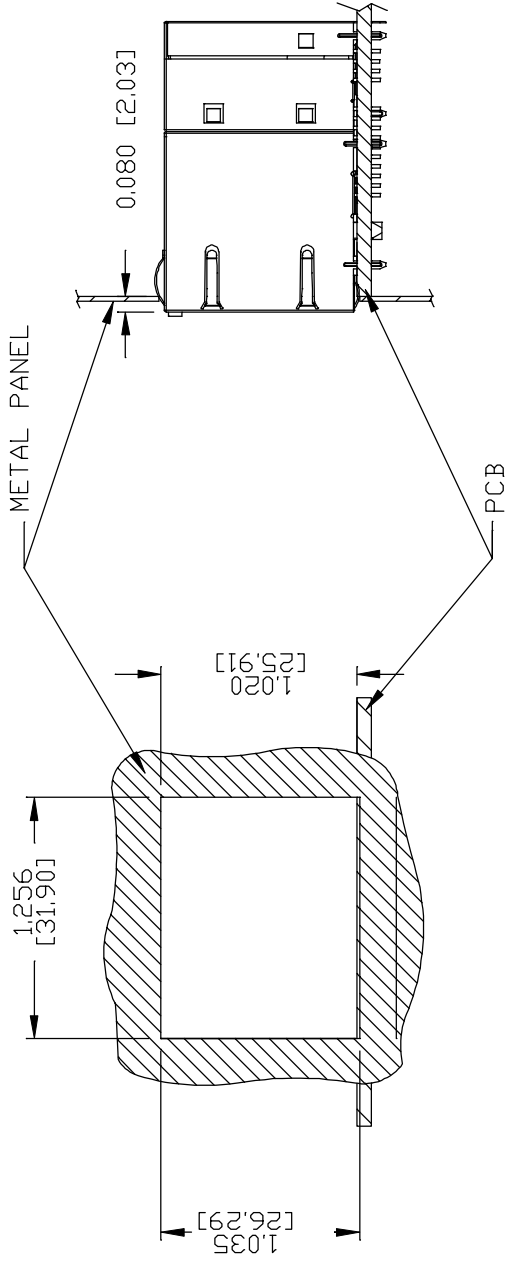


This document is electronically generated. This is a controlled copy if used internally

THE INFORMATION CONTAINED HEREIN IS CONSIDERED "PROPRIETARY" TO BEL FUSE INC. AND SHALL NOT BE COPIED, REPRODUCED OR DISCLOSED WITHOUT THE WRITTEN APPROVAL OF BEL FUSE INC.



SUGGESTED PANEL OPENING



NOTE:


THE DISTANCE OF PANEL INSIDE SURFACE RELATIVE TO FRONT SURFACE OF PART IS ONLY A SUGGESTION. IN CASE THIS DISTANCE IS DIFFERENT, THE REQUIRED PANEL OPENING DIMENSIONS CHANGE ACCORDINGLY.

PACKING INFORMATION

PACKING TRAY : 0200M9999-H0 (TOP)
0200M9999-H1 (BOTTOM)

PACKING QUANTITY : 32 PCS FINISHED GOODS PER TRAY
7 TRAYS (224 PCS FINISHED GOODS) PER CARTON BOX

NOTE : CARDBOARDS ARE PLACED BETWEEN LAYERS OF PACKING TRAY INSIDE CARTON BOX
(INCLUDE THE UPPERMOST AND LOWERMOST TRAY)

| | | |
|--|---|---|
| REV. : A | | PAGE : 6 |
| ORIGINATED BY ANTON LIAO DATE 2019-06-14 DRAWN BY LI QUANKUN DATE 2019-06-14 | | PART NO. / DRAWING NO. 0895-2C2J-JD FILE NAME 0895-2C2J-JD_A.DWG |
| TITLE 2X2 2.5 gigabit MagJack® 4PPoE PATENTED | STANDARD DIM. TOL. IN INCH .X .XX .XXX ±0.005 | [] METRIC DIM. AS REF. UNIT : INCH [mm] SCALE : N/A SIZE : A4 |
|  MAGNETIC SOLUTIONS a bel group | | |