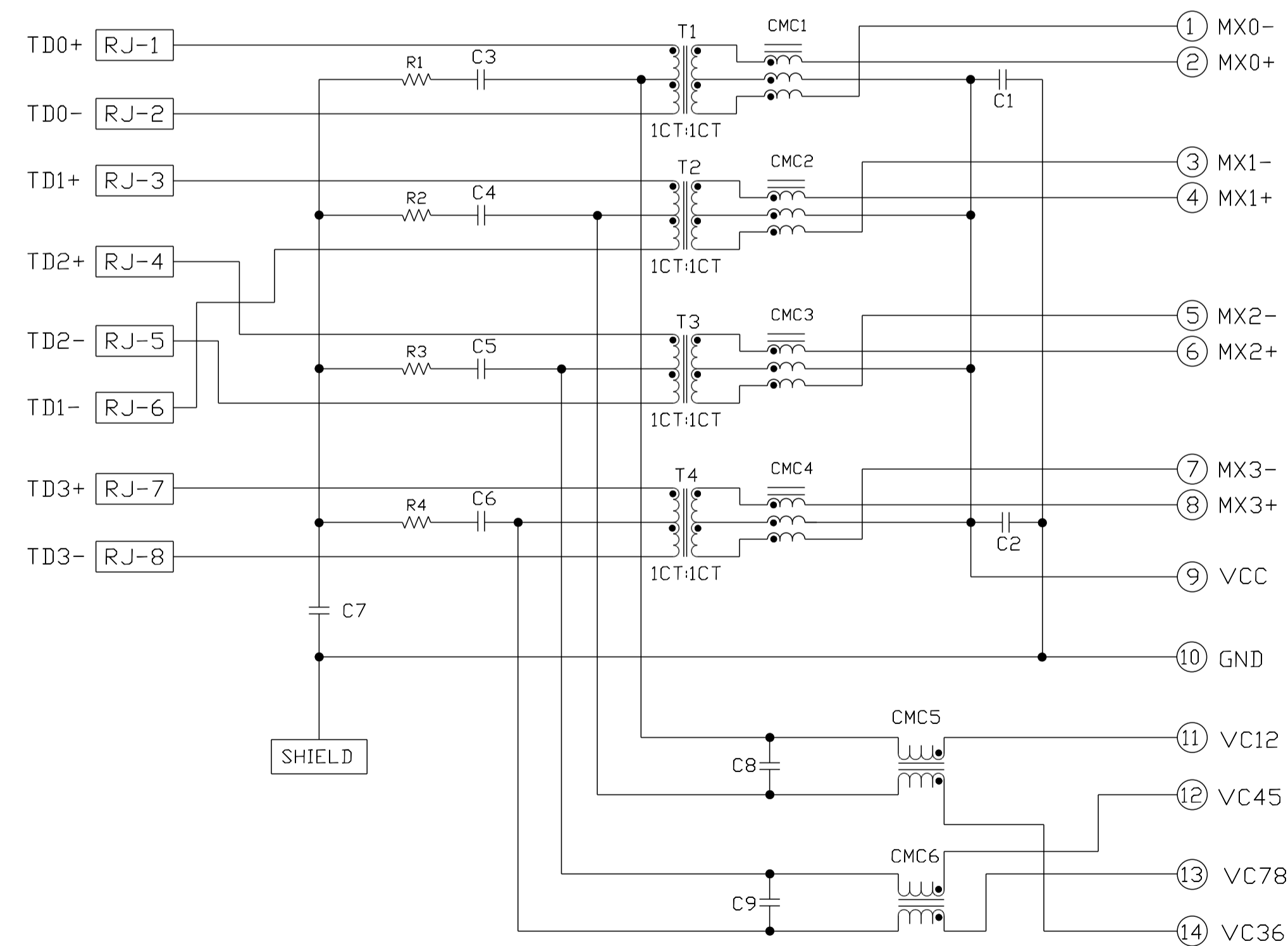


3D VIEW

S9UQG09ET 2.5G 4PPoE CIRCUIT

TOP AND BOTTOM PORTS

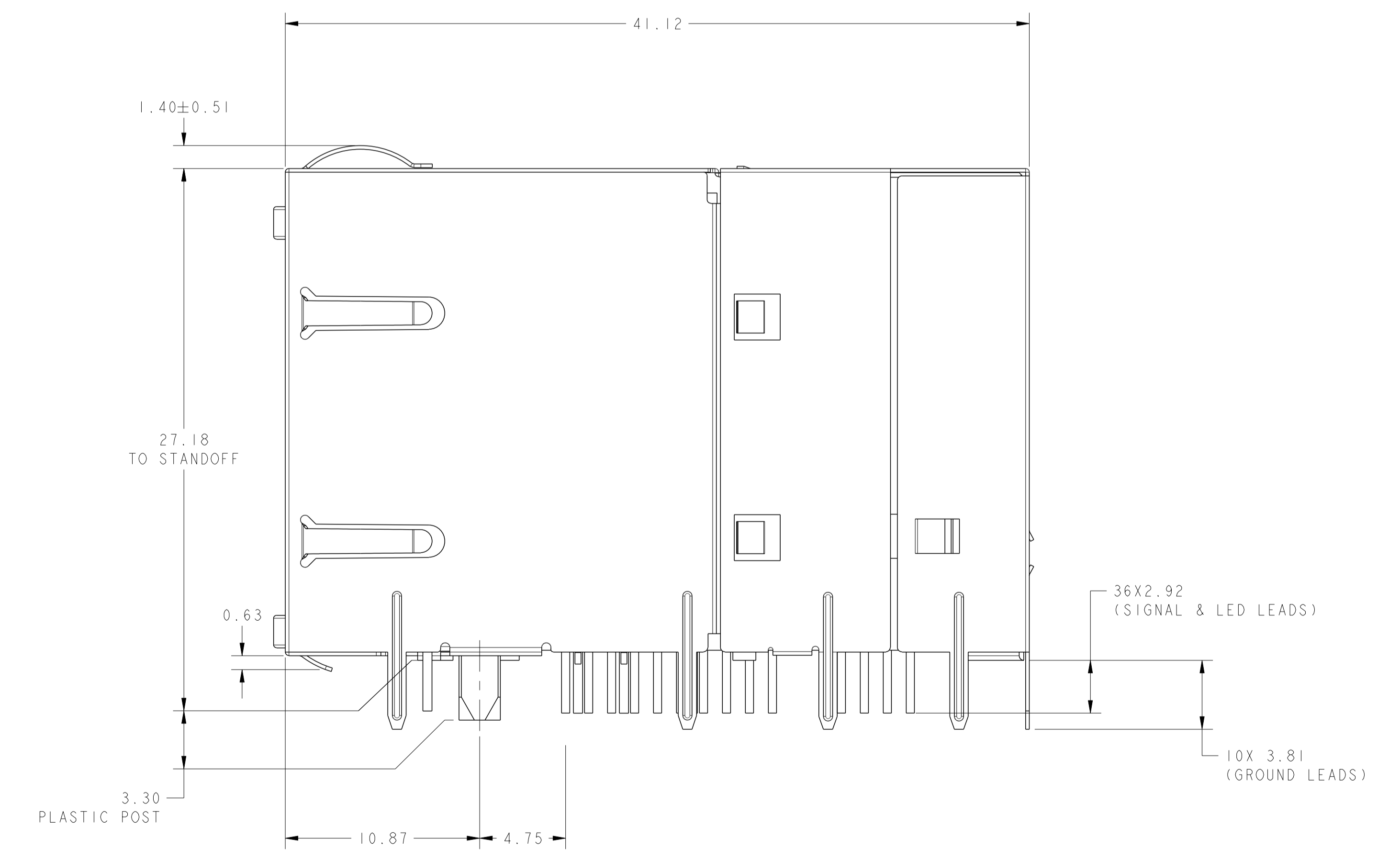
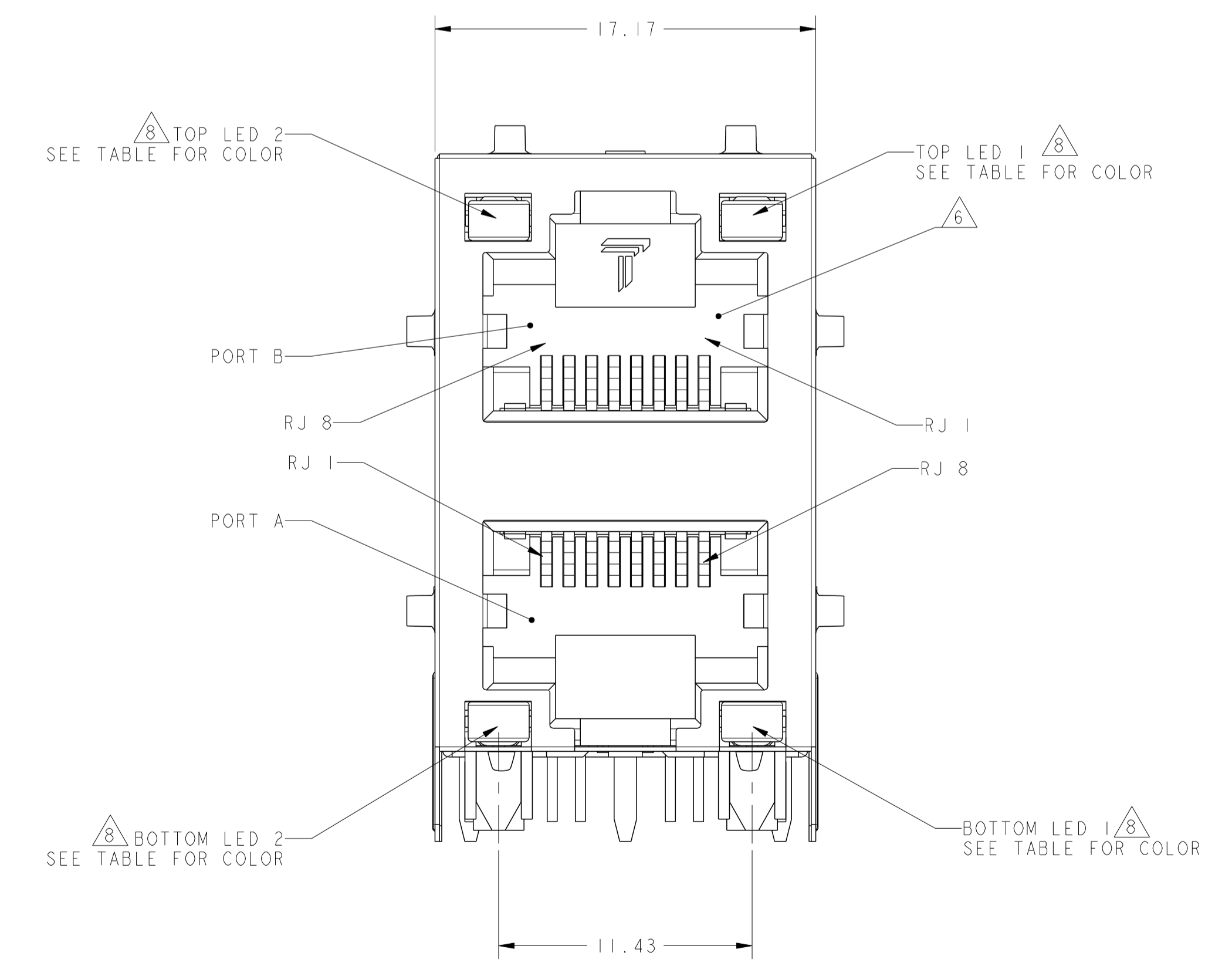
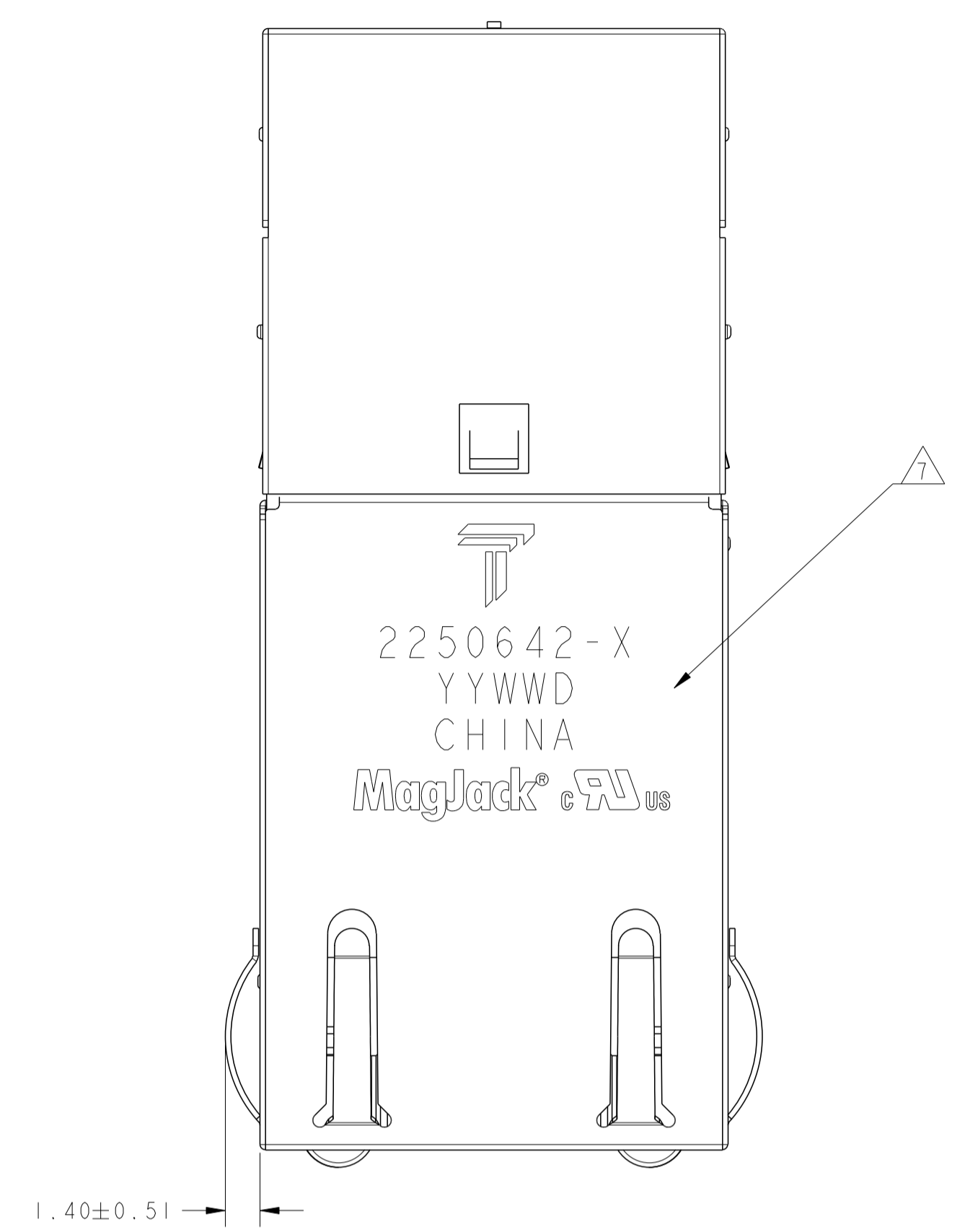



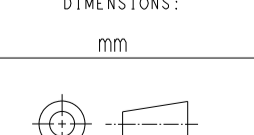
C1-C2 =10nF, 50V, X7R,CAPACITORS
 C3-C6 =22nF, 100V, CAPACITORS
 C7 =1000pF, 2kV, CAPACITOR
 C8-C9 =100nF, 100V, CAPACITORS
 R1-R4 =75 Ohms,1/16W,RESISTORS

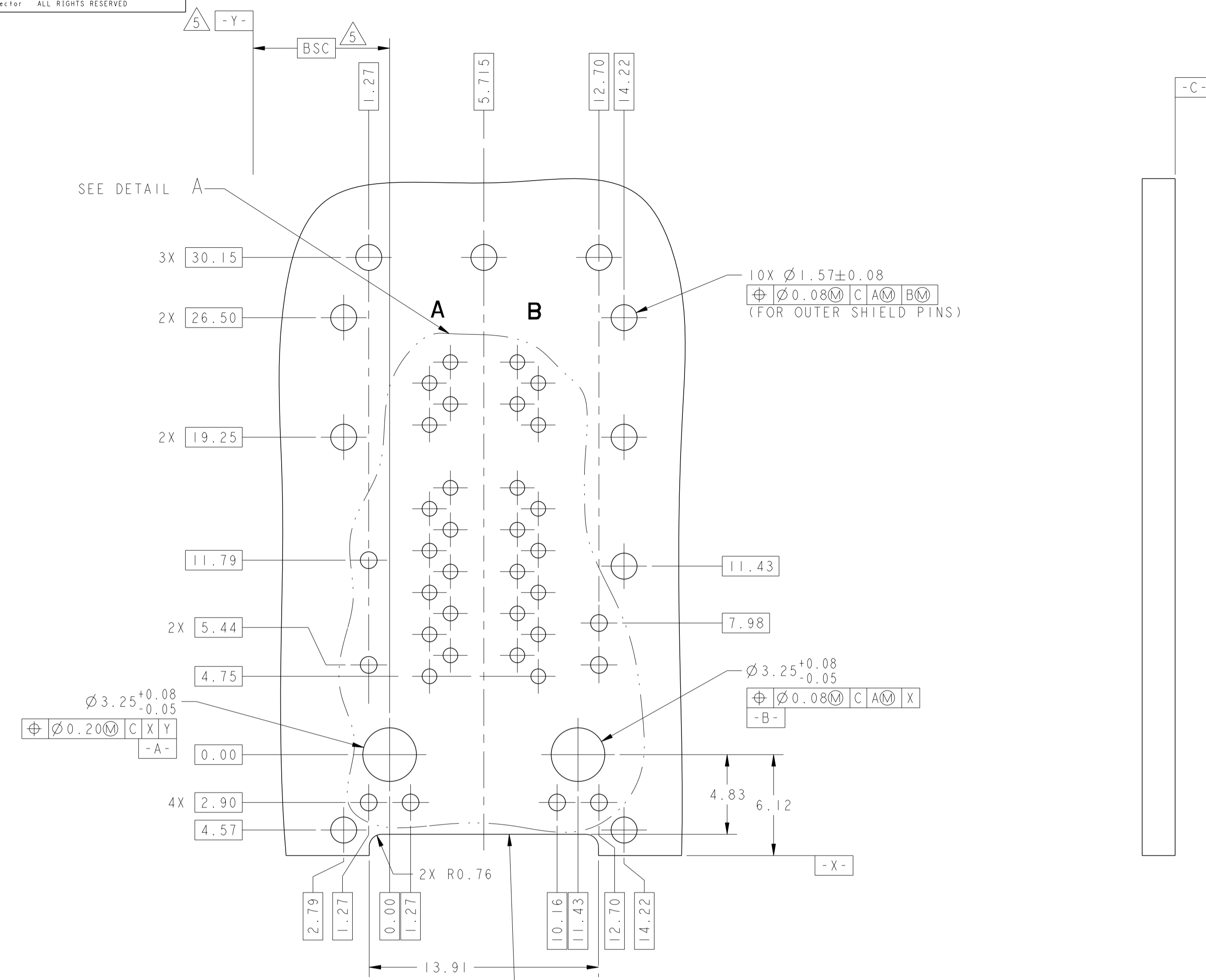
1. MATERIALS
 HOUSING: THERMOPLASTIC, BLACK, FLAMMABILITY RATING UL 94V-0
 SHIELD: NICKEL OR TIN PLATED ON COPPER ALLOY (ALL GROUND LEADS ARE SOLDER DIPPED)
 CONTACT: PHOSPHOR BRONZE,WITH 1.27um MIN OVERALL NICKEL UNDERPLATE AND SELECTIVE 1.27um MIN GOLD PLATING AT MATING INTERFACE
 LED: DIFFUSED EPOXY LENS, CARBON STEEL LEAD FRAME TAILS OF LED ARE PREPLATED WITH 2.03um MIN SILVER OVER 1.02um MIN NICKEL UNDERPLATE OVER 1.02um MIN COPPER UNDERPLATE. POST-PLATED WITH 2.54um MIN MATTE TIN AND/OR SAC SOLDER DIP OR PURE TIN SOLDER DIP

2. MAGNETICS
 APPLICATION: 2.5G BASE-T, 4PPoE
 IMPEDANCE: 100 OHMS
 TURNS RATIO (CHIP:CABLE): 1:1 ALL FOUR PAIRS
 OPEN CIRCUIT INDUCTANCE (OCL):
 ALL CHANNELS 180uH MIN @ 100KHz, 0.1 VRMS WITH 8mA DC BIAS FROM -40°C TO 85°C,
 120uH MIN @ 100KHz, 0.1 VRMS WITH 23mA DC BIAS FROM -40°C TO 85°C
 ALL FOUR PAIRS BI-DIRECTIONAL
 POE CURRENT: 1A ADC MAX
 PERFORMANCE @ 25°C:
 INSERTION LOSS (IL): 0.004*(f) + 0.5 MAX FROM 1MHz TO 125MHz
 RETURN LOSS (RL): -18dB MIN FROM 1MHz TO 40MHz
 18 - 15LOG10(f/40)dB MIN FROM 40MHz TO 125MHz
 CROSSTALK ATTENUATION: 35dB MIN FROM 1MHz TO 40MHz
 35 - 15LOG10(f/40)dB MIN FROM 40MHz TO 125MHz
 COMMON MODE REJECTION: 25dB MIN FROM 1MHz TO 125MHz
 ISOLATION VOLTAGE: 2250VDC(MAX) FOR 60 SECONDS WITH A RISE TIME OF 500V/SEC AND WITH ALL PORTS CONNECTED.
3. THE MAGNETIC CIRCUIT ON ALL FOUR CHANNELS IS SYMMETRICAL AND SUPPORTS AUTO-MDIX OPERATION.
4. OPERATING TEMPERATURE: -40°C TO 85°C.
5. DATUM Y AND BASIC DIMENSION ESTABLISHED BY CUSTOMER.
6. RJ45 CAVITY CONFORMS TO FCC RULES AND REGULATION PART 68 SUBPART F.
7. TRP CONNECTOR LOGO,PART NUMBER,DATE CODE,COUNTRY OF ORIGIN, AGENCY APPROVAL MARKING IN APPROPRIATE LOCATION SHOWN.
 DATE CODE: YYWW WHERE "YY" IS YEAR, "WW" IS WORK WEEK, "D" IS DAY OF WEEK, WITH SUNDAY= 1
8. LEDs ARE DRIVEN WITH CONSTANT CURRENT AT APPROX 20mA
 LED COLOR: DOMINANT WAVELENGTH (λD): GREEN 568 nm TYP. @ IF=20mA
 FORWARD VOLTAGE (VF): GREEN 2.2V TYP. @ IF=20mA
 DOMINANT WAVELENGTH (λD): AMBER 588 nm TYP. @ IF=20mA
 FORWARD VOLTAGE (VF): AMBER 2.1V TYP. @ IF=20mA
9. THE PART IS RECOMMENDED FOR WAVE SOLDERING PROCESS, PEAK TEMPERATURE 260°C MAX, 10 SECONDS MAX.

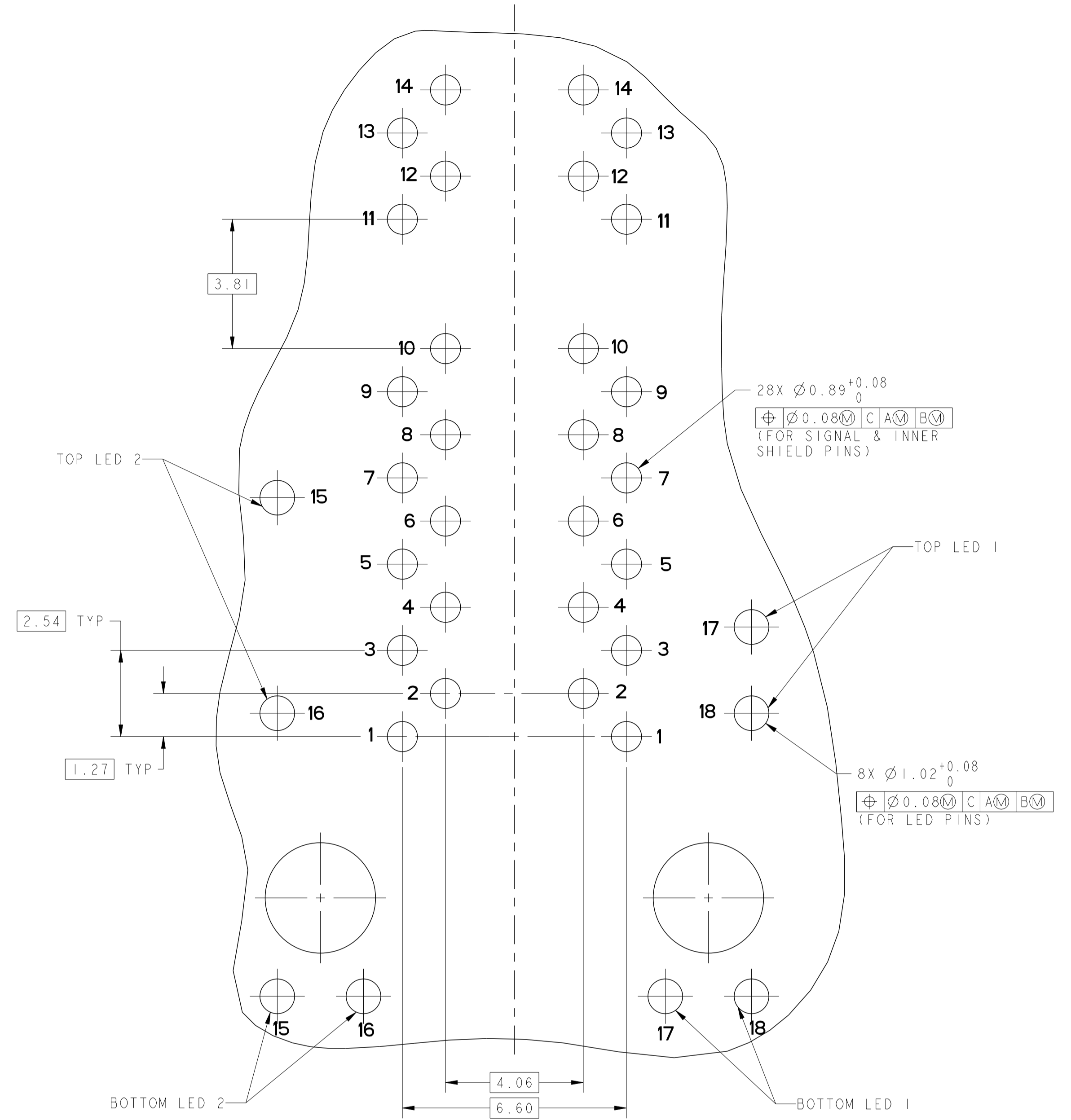
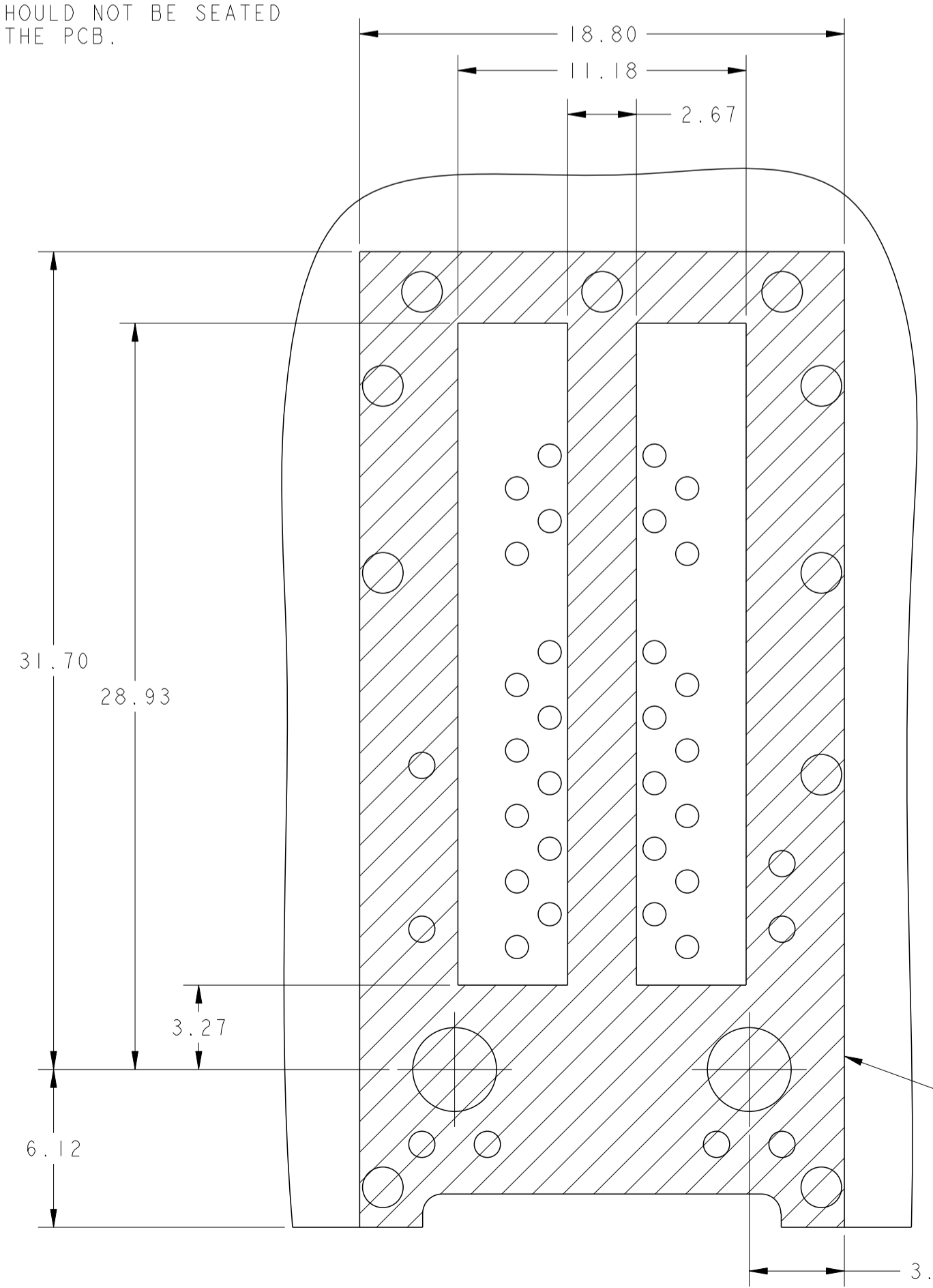
GREEN	GREEN	AMBER	GREEN	GREEN	AMBER	2250642-1
15-16	17-18	18-17	15-16	17-18	18-17	PART NUMBER
BOTTOM LED 2	BOTTOM LED 1	TOP LED 2	TOP LED 1			
THIS DRAWING IS A CONTROLLED DOCUMENT AND COMPLIANT TO ASME Y14.5M		DWN: PETER QIU / FERRY LIN CHG: TOMMY REN / BILL LIU AP'D: TONY YUAN		DONGGUAN CHINA		
DIMENSIONS: mm		TOLERANCES UNLESS OTHERWISE SPECIFIED:		MODEL NAME: MAGJACK STACK 4PPoE DESC: 2X1, S9UQG09ET 2.5G 4PPoE CIRCUIT WITH LED		
0 PLC ±0.25 1 PLC ±0.25 2 PLC ±0.25 3 PLC ±0.25 4 PLC ±0.25 ANGLES ±°		PRODUCT SPEC: 108-104004		SIZE: A1 CAGE CODE: C=2250642 DRAWING NO: 108-104004		
Customer Drawing				SCALE: NTS SHEET 1 OF 5 REV 3		



THIS DRAWING IS A CONTROLLED DOCUMENT. AND COMPLIANT TO ASME Y14.5M		OWN: PETER QIU / TERRY LIN 02JUL2019	 trp CONNECTOR a bel group DONGGUAN CHINA
DIMENSIONS: mm		CHK: TOMMY REN / BILL LIU 02JUL2019	
 0 PLC ±0.25 1 PLC ±0.25 2 PLC ±0.25 3 PLC ±0.25 4 PLC ± ANGLES ±° APPLICATION SPEC ±°		APP'D: TONY YUAN 02JUL2019	DESC: 2X1, S9UQG09ET 2.5G 4PPOE CIRCUIT WITH LED
PRODUCT SPEC: 108-104004		MODEL NAME: MAGJACK STACK 4PPOE	SIZE: A1
		Customer Drawing	SCALE: NTS SHEET 2 OF 5 REV 3

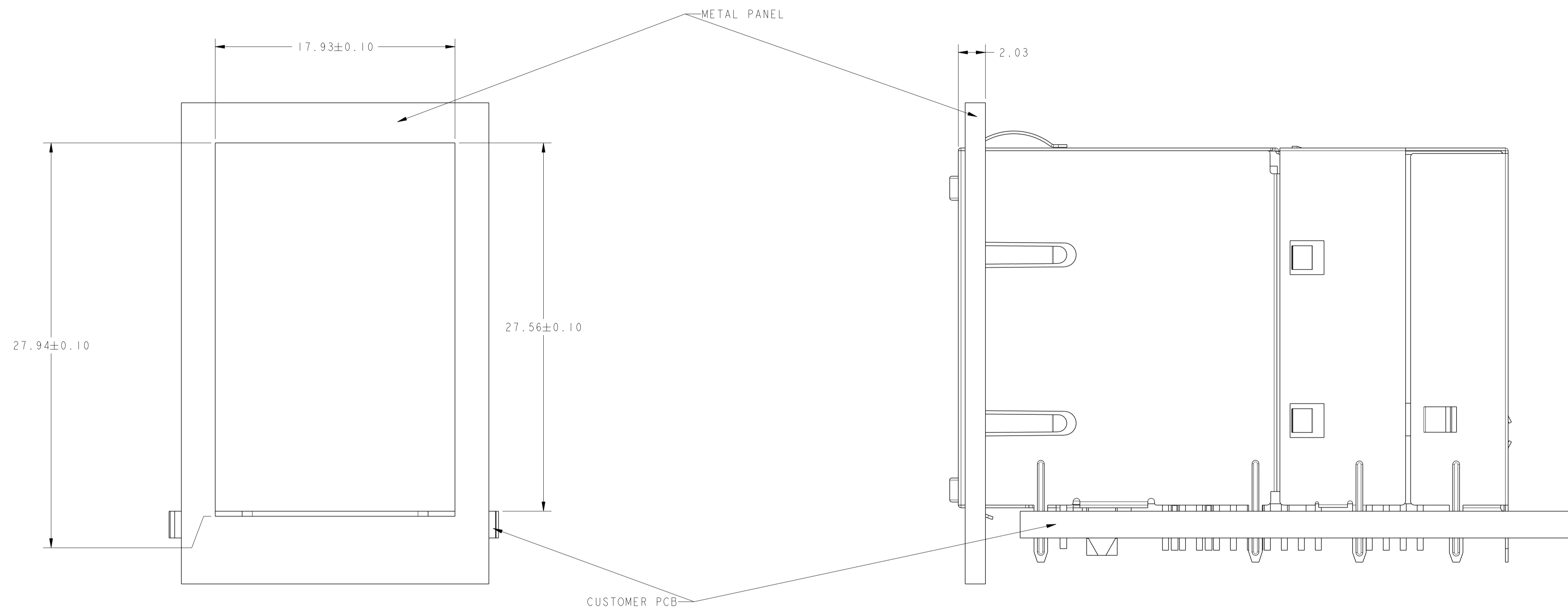


**RECOMMENDED PC BOARD LAYOUT
(VIEW FROM COMPONENT SIDE)**



**DETAIL A
SCALE 10:1**


THIS DRAWING IS A CONTROLLED DOCUMENT. AND COMPLIANT TO ASME Y14.5M		DWN: PETER QIU / 02JUL2019 CHK: TOMMY REN / 02JUL2019 APVD: TONY YUAN / 02JUL2019	DONGGUAN CHINA
DIMENSIONS: mm 	TOLERANCES UNLESS OTHERWISE SPECIFIED: 0 PLC ±0.25 1 PLC ±0.25 2 PLC ±0.25 3 PLC ±0.25 4 PLC ±0.25 ANGLES ±° APPLICATION SPEC	MODEL NAME: MAGJACK DESC: 2X1, S9UQG09ET 2.5G 4PPOE CIRCUIT WITH LED	
PRODUCT SPEC: 108-104004	SCALE: NTS	DRAWING NO: C=2250642 CUSTOMER DRAWING	RESTRICTED TO: 3 SHEET: 3 OF 5 REV: 3



RECOMMENDED PANEL CUTOUT DIMENSION

SIDE VIEW SHOWN WITH CUSTOMER PANEL, PCB

NOTE:
 THE DISTANCE OF PANEL INSIDE SURFACE RELATIVE TO FRONT SURFACE OF PART IS ONLY A SUGGESTION, IN CASE THIS DISTANCE IS DIFFERENT, THE REQUIRED PANEL OPENING DIMENSIONS CHANGE ACCORDINGLY.

THIS DRAWING IS A CONTROLLED DOCUMENT. AND COMPLIANT TO ASME Y14.5M		OWN: PETER QIU / TERRY LIN 02JUL2019	 trp CONNECTOR a bel group DONGGUAN CHINA
DIMENSIONS: mm		CHK: TOMMY REN / BILL LIU 02JUL2019	
TOLERANCES UNLESS OTHERWISE SPECIFIED:		APVD: TONY YUAN 02JUL2019	DESC: 2X1, S9UQG09ET 2.5G 4PPOE CIRCUIT WITH LED
0 PLC ±0.25	1 PLC ±0.25	2 PLC ±0.25	3 PLC ±0.25
4 PLC ±	ANGLES ±°	APPLICATION SPEC ±	
PRODUCT SPEC 108-104004			
MAGJACK STACK 4PPOE		SIZE: A1	RESTRICTED TO: -
Customer Drawing		SCALE: NTS	SHEET 4 OF 5 REV 3


2250642

STOCK DISPOSITION

A: CONTINUE AS IS D: USE OLD FIRST
 B: REWORK E: PARTS TO CONFORM
 C: SCRAP F: OTHER

REVISION HISTORY

DATE	REV	CHANGES	REASON	APPROVAL	INVENTORY (A,B,C,D,E,F)	WORK IN PROCESS (A,B,C,F)	SUPPLIER ORDERS (A,E,F)	OPEN CUST ORDERS (A,E,F)
02JUL2019	1	INITIAL RELEASE.	INITIAL RELEASE.	TONY YUAN	-	-	-	-
10OCT2019	2	UPDATED DRAWING.	ENGINEERING CHANGE.	TONY YUAN	-	-	-	-
20MAR2023	3	CHANGE LED 1 COLOR TO GREEN/AMBER	CUSTOMER REQUIREMENT	TONY YUAN	-	-	-	-

THIS DRAWING IS A CONTROLLED DOCUMENT. AND COMPLIANT TO ASME Y14.5M		OWN: PETER QIU / TERRY LIN 02JUL2019 CHK: TOMMY REN / BILL LIU 02JUL2019 APP: TONY YUAN 02JUL2019		 trp CONNECTOR DONGGUAN CHINA
DIMENSIONS: mm	TOLERANCES UNLESS OTHERWISE SPECIFIED: 0 PLC ±0.25 1 PLC ±0.25 2 PLC ±0.25 3 PLC ±0.25 4 PLC ±0.25 ANGLES ±°	MODEL NAME MAGJACK	DESC 2X1, S9UQG09ET 2.5G 4PPOE CIRCUIT WITH LED	
PRODUCT SPEC 108-104004	APPLICATION SPEC	SIZE A1	CAGE CODE C=2250642	RESTRICTED TO -
Customer Drawing			SCALE NTS	SHEET 5 OF 5 REV 3