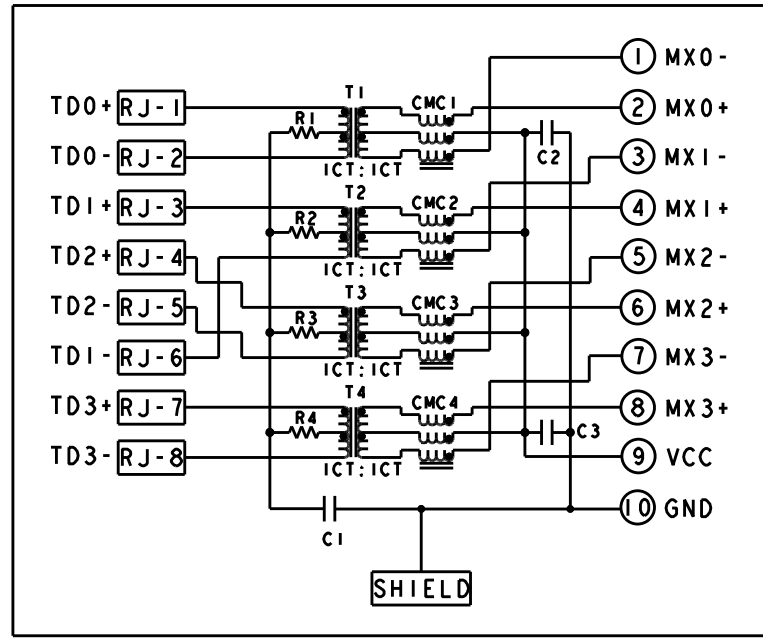


S8G56 GIGABIT CIRCUIT
TOP AND BOTTOM PORTS



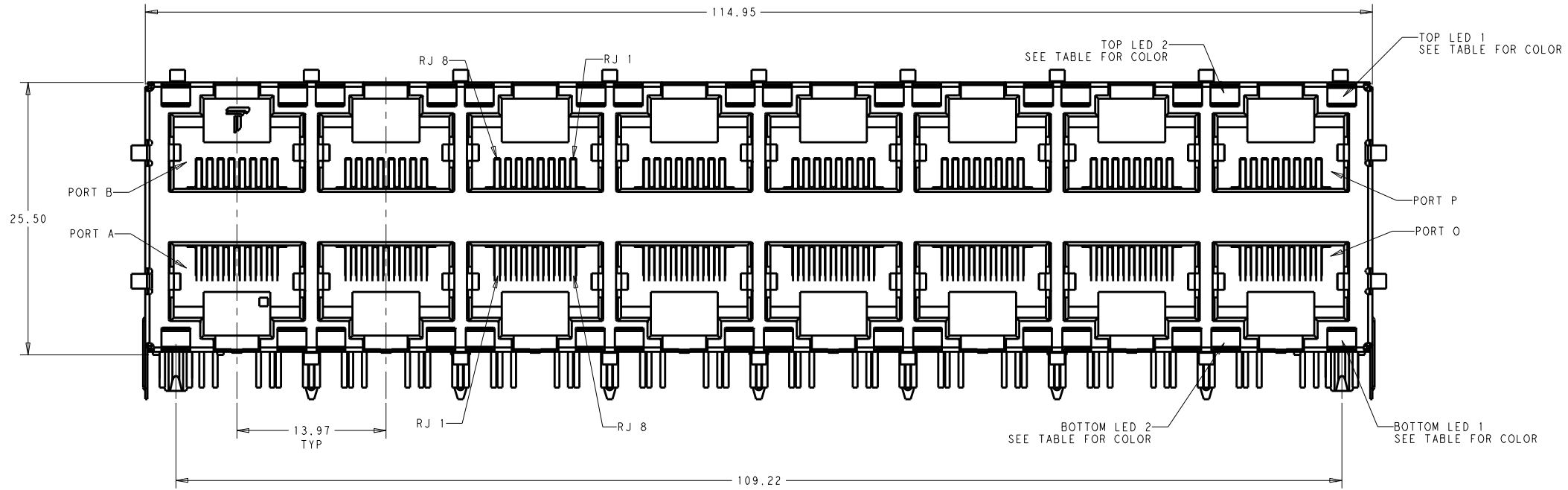
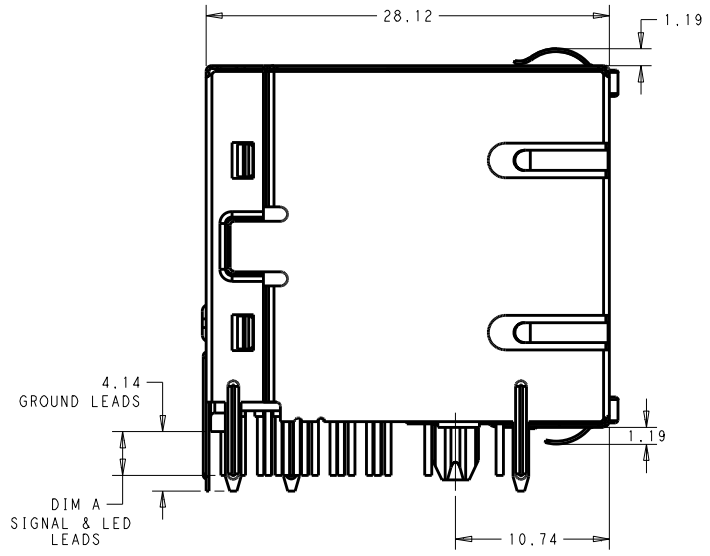
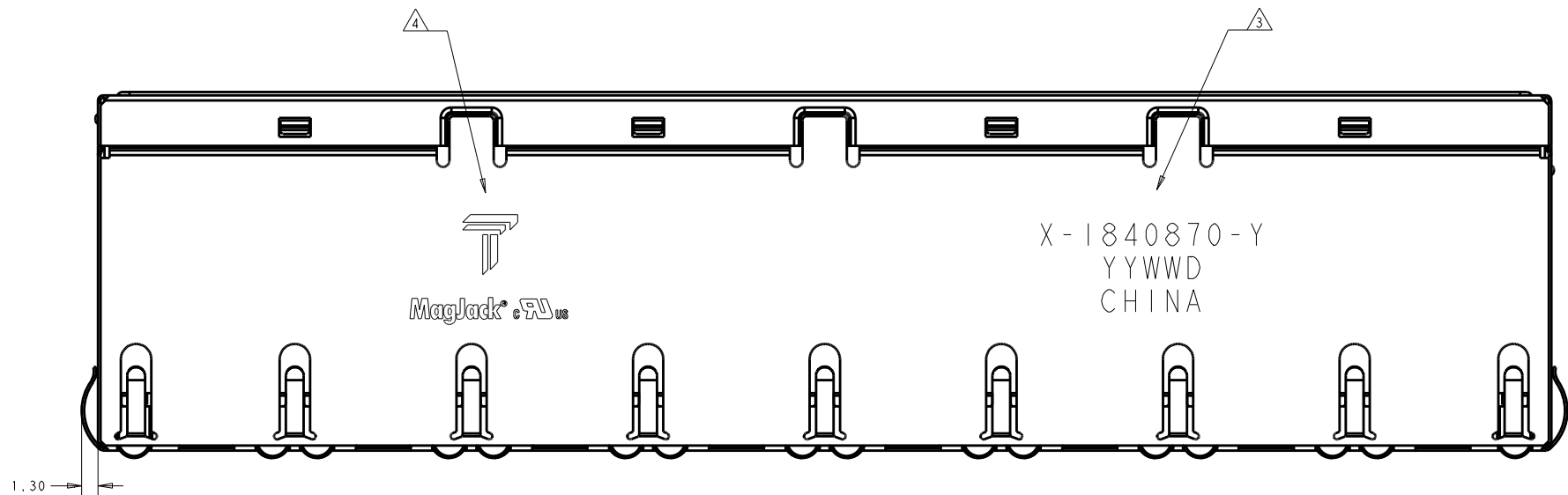
C1 = 1000pF, 2kV CAPACITOR
C2 - C3 = 10nF, 50V CAPACITORS
R1-R4 = 75 Ohms, 1/16 W, RESISTORS

- MATERIALS:**
 PLASTIC HOUSING: BLACK, THERMOPLASTIC FLAMMABILITY RATING UL 94V-0
 SHIELD: BRASS, PREPLATED WITH 0.76um MIN SEMI-BRIGHT NICKEL, POST DIPPED WITH 2.54um MIN SAC SOLDER ON SOLDER TAILS.
 CONTACTS: PHOSPHOR BRONZE, 1.27um MIN OVERALL NICKEL UNDERPLATE WITH SELECTED 1.27um MIN GOLD AT MATING INTERFACE AND 2.54um MIN MATTE TIN ON SOLDER TAILS.
 LED: DIFFUSED EPOXY LENS, CARBON STEEL LEAD FRAME TAILS OF LED ARE PREPLATED WITH 2.03um MIN SILVER OVER 1.02um MIN NICKEL UNDERPLATE OVER 1.02um MIN COPPER UNDERPLATE, POST-PLATED WITH 2.54um MIN MATTE TIN AND/OR SAC SOLDER DIP OR PURE TIN SOLDER DIP
 ALL PC BOARDS: HIGH TEMPERATURE PCB, TG>170°C
- MAGNETICS**
 APPLICATION: 10/100/1000 BASE-T
 IMPEDANCE: 100 OHMS
 TURNS RATIO (CHIP:CABLE): 1:1 ALL FOUR PAIRS
 OPEN CIRCUIT INDUCTANCE (OCL): 350uH MIN @100kHz, 0.1VRMS, 8mADC BIAS FROM 0°C TO 70°C, ALL FOUR PAIRS
 ALL FOUR PAIRS BI-DIRECTIONAL
 PERFORMANCE @ 25°C:
 INSERTION LOSS (IL): 1.1dB MAX FROM 0.5MHz TO 100MHz
 RETURN LOSS (RL): 18dB MIN FROM 0.5MHz TO 40MHz
 12-20LOG(f/80)dB MIN FROM 40.1MHz TO 100MHz
 CROSSTALK ATTENUATION: 35dB MIN FROM 0.5MHz TO 40MHz
 33-20LOG(f/50)dB MIN FROM 40.1MHz TO 100MHz
 COMMON MODE REJECTION RATIO (CMRR): 30dB MIN FROM 0.5MHz TO 100MHz
 ISOLATION VOLTAGE: 2250VDC(MAX) FOR 60 SECONDS WITH A RISE TIME OF 500V/SEC AND WITH ALL PORTS CONNECTED.
- PART NUMBER, DATE CODE AND COUNTRY OF ORIGIN ARE LOCATED IN APPROXIMATE AREA SHOWN. DATE CODE: "YY" IS YEAR, "WW" IS WORK WEEK, "D" IS DAY OF WEEK, WITH SUNDAY=1.
- TRP LOGO AND AGENCY APPROVAL LOGO ARE LOCATED IN APPROXIMATE AREA SHOWN.
- OPERATING TEMP: FROM 0°C TO +70°C.
- RJ45 CAVITY CONFORMS TO FCC RULES AND REGULATION PART 68 SUBPART F.
- INDICATED MAGNETIC CONNECTIONS ARE SYMMETRICAL AND SUPPORT AUTO-MDI/MDIX.
- DATUM AND BASIC DIMENSION ESTABLISHED BY CUSTOMER.
- BASIC DIMENSION ESTABLISHED BY CUSTOMER, BUT MAY NOT BE GREATER THAN 5.08mm.
- LEDS ARE DRIVEN WITH CONSTANT CURRENT AT APPROX 20mA
 LED COLOR: DOMINANT WAVELENGTH (λ D): GREEN 568 nm TYP. @ IF=20mA
 FORWARD VOLTAGE (VF): GREEN 2.2V TYP. @ IF=20mA
 DOMINANT WAVELENGTH (λ D): YELLOW 588 nm TYP. @ IF=20mA
 FORWARD VOLTAGE (VF): YELLOW 2.1V TYP. @ IF=20mA
 DOMINANT WAVELENGTH (λ D): ORANGE 605 nm TYP. @ IF=20mA
 FORWARD VOLTAGE (VF): ORANGE 2.1V TYP. @ IF=20mA
- THE PARTS ARE RECOMMENDED FOR WAVE SOLDERING PROCESS, PEAK TEMPERATURE 260°C MAX, 10 SECONDS MAX.

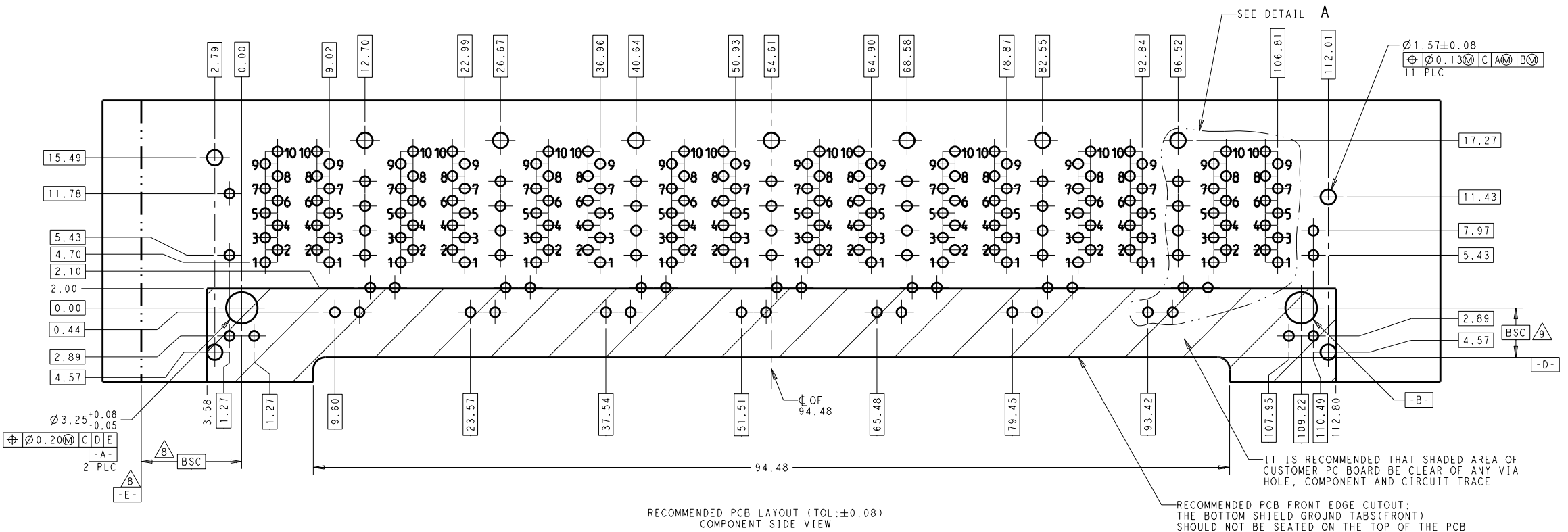
3.56	GRN/ORA	GRN/ORA	GRN/ORA	GRN/ORA	1-1840870-7
3.04	GRN/YEL	GRN/YEL	GRN/YEL	GRN/YEL	1-1840870-4
3.56	GRN/YEL	GRN/YEL	GRN/YEL	GRN/YEL	1840870-4
3.04	YELLOW	GREEN	GREEN	YELLOW	1840870-2
3.04	GREEN	GREEN	GREEN	GREEN	1840870-1
DIM A	BOTTOM LED 2	BOTTOM LED 1	TOP LED 2	TOP LED 1	PART NUMBER

THIS DRAWING IS A CONTROLLED DOCUMENT.

DIMENSIONS: mm	TOLERANCES UNLESS OTHERWISE SPECIFIED:	0 PLC ±	1 PLC ±	2 PLC ±.25	3 PLC ±	4 PLC ±	ANGLES
PRODUCT SPEC: 108-104004	APPLICATION SPEC:	TRP CONNECTOR DONGGUAN CHINA MAGJACK STACK NON-POE 2X8 S8G56 GIGABIT W/LED SIZE: A1 DRAWING NO: 1840870 SHEET 1 OF 4 REV D					

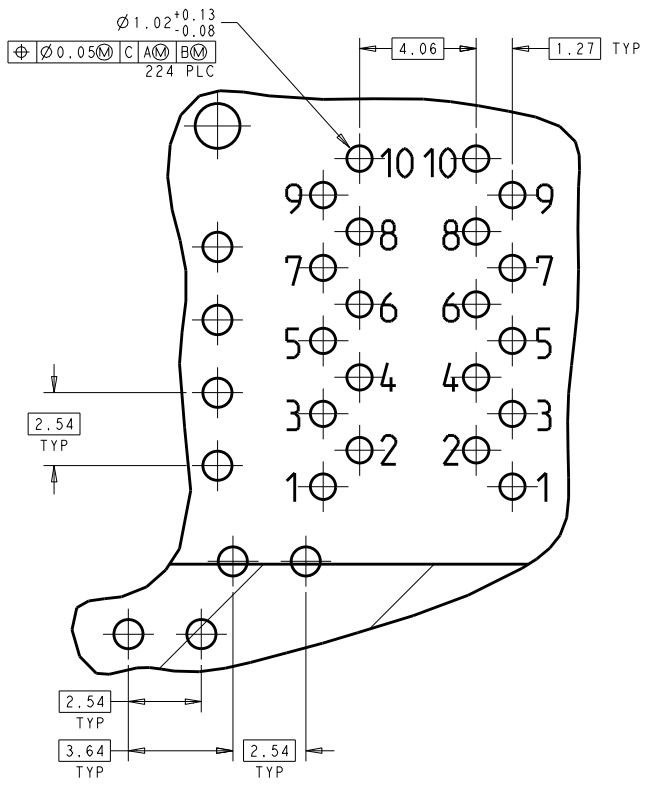


THIS DRAWING IS A CONTROLLED DOCUMENT.		DWG: JAMISON CHEN/KO L1 22NOV2010 CHK: TONY YUAN 22NOV2010 APVD: KEITH ZHU 22NOV2010	trp CONNECTOR a bel group	DONGGUAN CHINA
DIMENSIONS: mm	TOLERANCES UNLESS OTHERWISE SPECIFIED: 0 PLC ± 1 PLC ± 2 PLC ±0.25 3 PLC ± 4 PLC ± ANGLES ±	MODEL NAME: MAGJACK SIZE: 2X8 S8G56 GIGABIT W/LED CAGE CODE: DRAWING NO: A1 PRODUCT SPEC: 108-104004 APPLICATION SPEC:		RESTRICTED TO: - CUSTOMER DRAWING

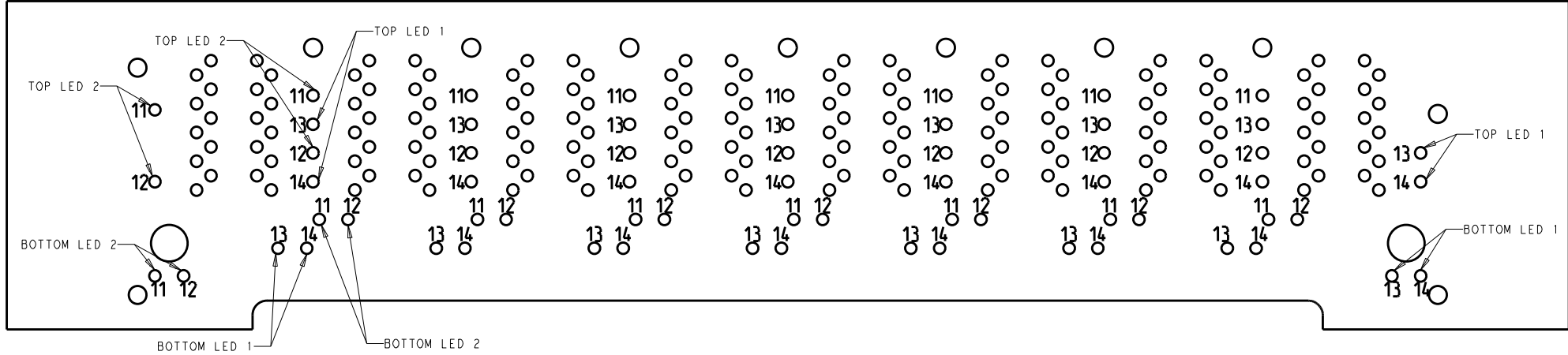


RECOMMENDED PCB LAYOUT (TOL: ±0.08)
COMPONENT SIDE VIEW

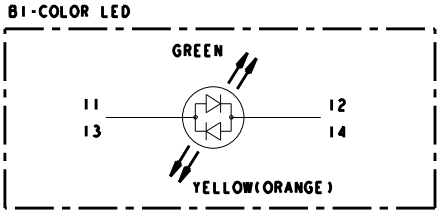
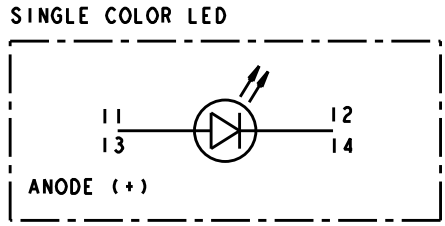
RECOMMENDED PCB FRONT EDGE CUTOUT:
THE BOTTOM SHIELD GROUND TABS (FRONT)
SHOULD NOT BE SEATED ON THE TOP OF THE PCB



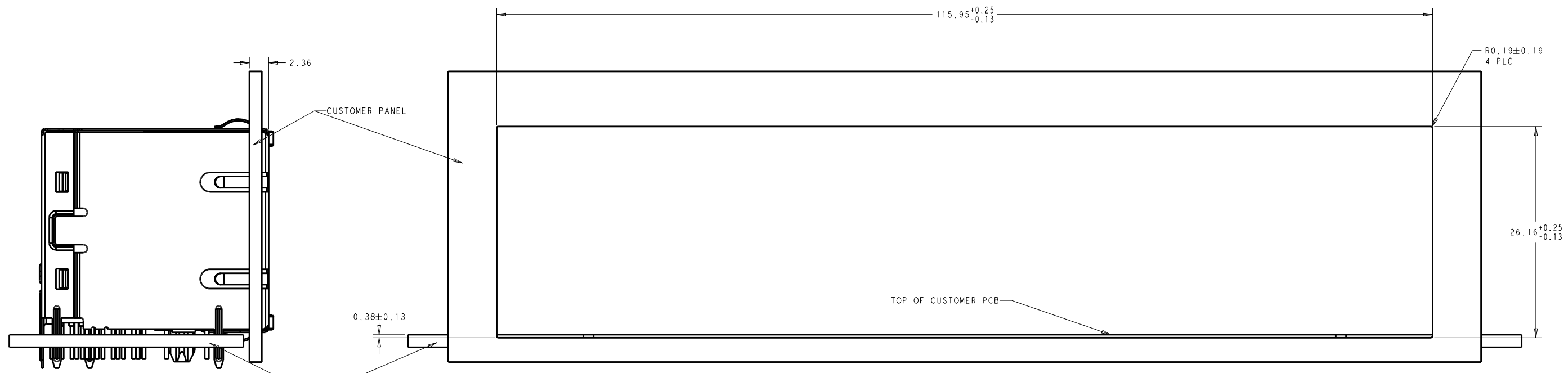
DETAIL A
SCALE 8:1



LED HOLE DESIGNATIONS
VIEWED FROM COMPONENT SIDE

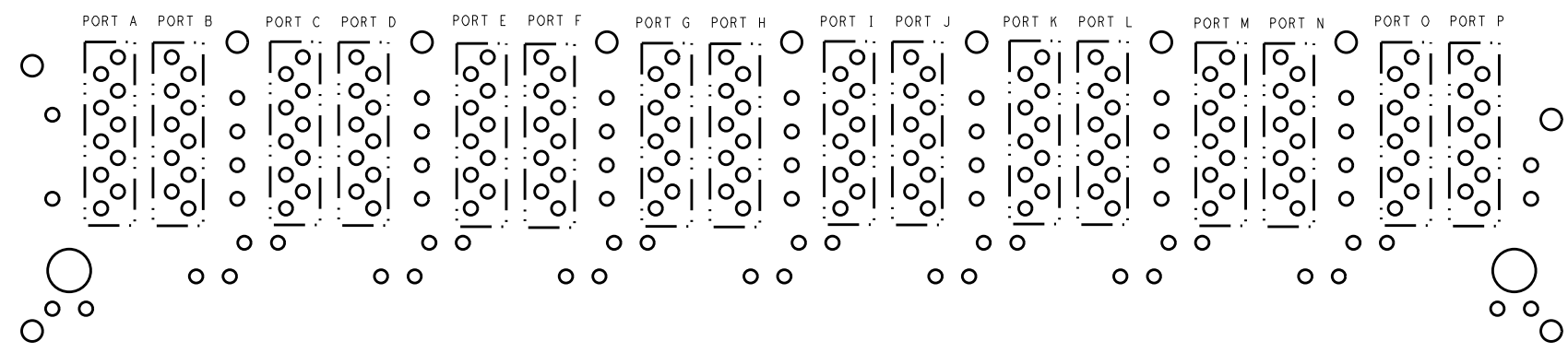


THIS DRAWING IS A CONTROLLED DOCUMENT.		PWN 22NOV2010 JAMISON CHEN/KO L I CHK 22NOV2010 TONY YUAN APVD 22NOV2010 KELTH ZHU MODEL NAME MAGJACK STACK NON-POE CUSTOMER DRAWING	DONGGUAN CHINA
DIMENSIONS: mm 	TOLERANCES UNLESS OTHERWISE SPECIFIED: 0 PLC ± 1 PLC ± 2 PLC ±0.25 3 PLC ± 4 PLC ± ANGLES ±	SIZE A1 CAGE CODE DRAWING NO. 1840870 SCALE NTS	PRODUCT SPEC 108-104004 APPLICATION SPEC 2X8 S8G56 GIGABIT W/LED SHEET 3 OF 4 REV D



SHOWN WITH PANEL AND CUSTOMER PCB ASSEMBLY

SUGGESTED PANEL CUTOUT DIMENSIONS (TOL: ±0.10)



PORT ASSIGNMENT COMPONENT SIDE VIEW

THIS DRAWING IS A CONTROLLED DOCUMENT.		DWN JAMISON CHEN/KO L I 22NOV2010 CHK TONY YUAN 22NOV2010 APVD KEITH ZHU 22NOV2010	DONGGUAN CHINA
DIMENSIONS: mm 	TOLERANCES UNLESS OTHERWISE SPECIFIED: 0 PLC ± 1 PLC ± 2 PLC ±0.25 3 PLC ± 4 PLC ± ANGLES °	MODEL NAME: MAGJACK DESC: 2X8 S8G56 GIGABIT W/LED	
PRODUCT SPEC: 108-104004	APPLICATION SPEC:	SIZE: A1 CAGE CODE: 1840870 DRAWING NO: 1840870	RESTRICTED TO:
CUSTOMER DRAWING		SCALE: NTS	SHEET 4 OF 4 REV D