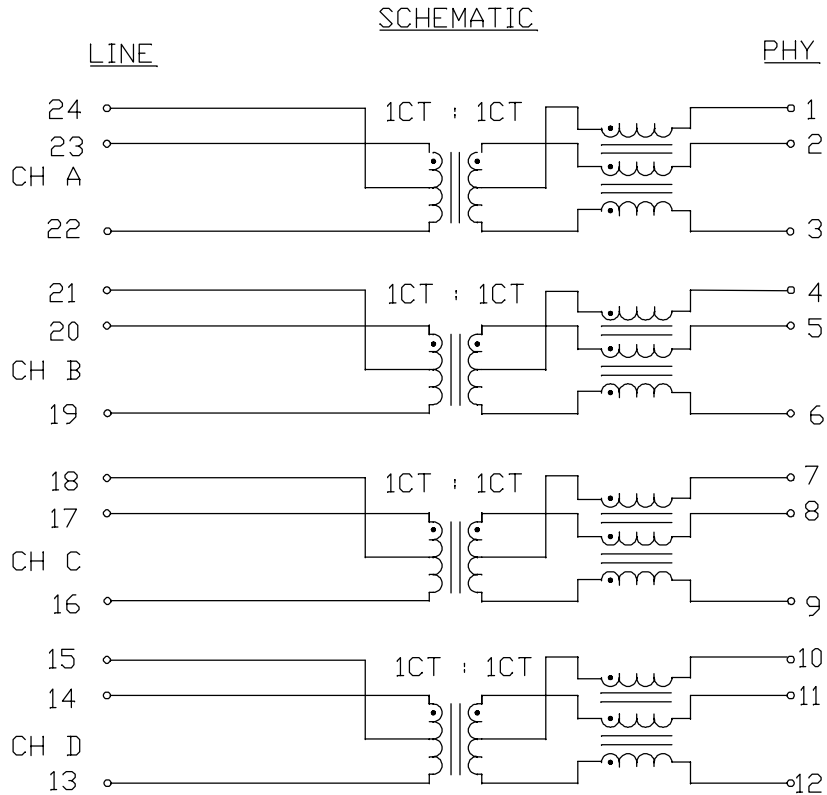


THE INFORMATION CONTAINED HEREIN IS CONSIDERED "PROPRIETARY" TO BEL FUSE INC. AND SHALL NOT BE COPIED, REPRODUCED OR DISCLOSED WITHOUT THE WRITTEN APPROVAL OF BEL FUSE INC.

ELECTRICAL SPECIFICATION @25°C

RoHS



URNS RATIO

(2-1-3) : (23-24-22)  
 (5-4-6) : (20-21-19)  
 (8-7-9) : (17-18-16)  
 (11-10-12) : (14-15-13)

1CT : 1CT  
 1CT : 1CT  
 1CT : 1CT  
 1CT : 1CT

POLARITY

□CL  
 @100kHz, 100mV, 23mA DC BIAS  
 @100kHz, 100mV, 8mA DC BIAS

PER DOT CONVENTION

120uH MIN  
 180uH MIN

HIPOT

LEAKAGE CURRENT LESS THAN 1mA AT 2250VDC

INSERTION LOSS

FREQ(MHz)	1	2-300	400	500
MAX (dB)	0.3	1.0	1.5	2.0

RETURN LOSS  
 (100 OHM LINESIDE LOAD)

FREQ(MHz)	1	2-100	200	500	600
MIN (dB)	18	20	15	12	9

COMM. TO DIFF. MODE  
 REJECTION

FREQ(MHz)	50	100	200	300	400	500
MAX (dB)	48	42	36	33	30	28

DIFF. TO COMM. MODE  
 REJECTION

FREQ(MHz)	50	100	200	300	400	500
MAX (dB)	30	27	24	22	21	20

BALANCED DC LINE CURRENT: 1A MAXIMUM CONTINUOUS @57VDC

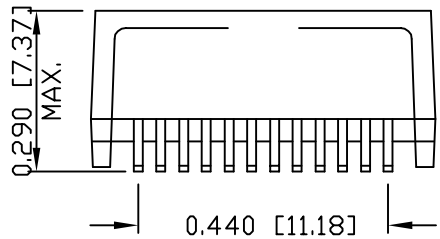
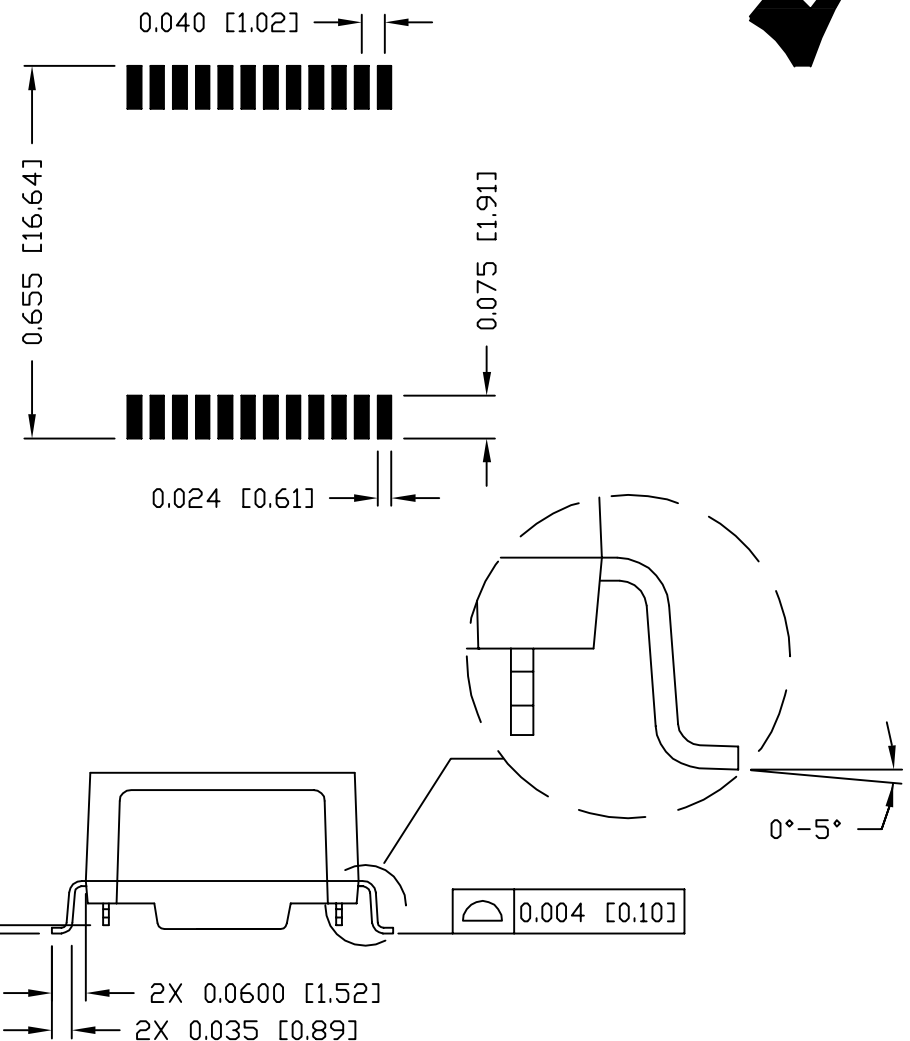
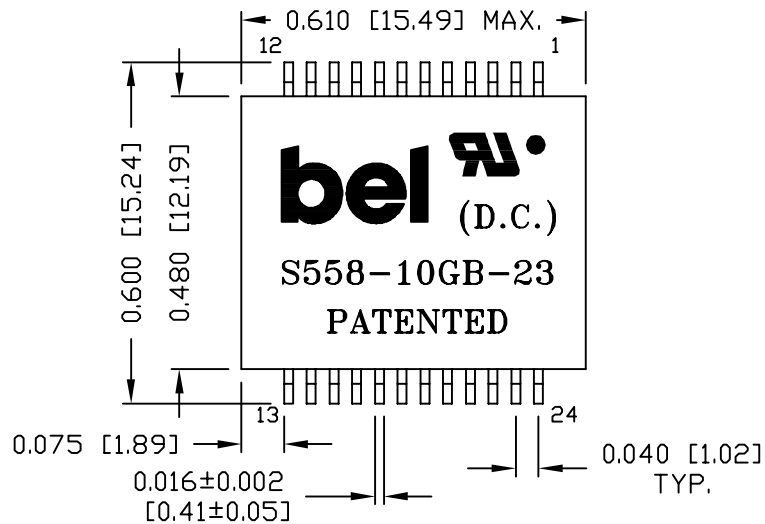
DESIGNED FOR EXTENDED TEMPERATURE 10G 100W 802.3BT APPLICATIONS  
 OPERATING TEMPERATURE : -40 TO 85°C

ORIGINATED BY		DATE	TITLE	PART NO. / DRAWING NO.		STANDARD DIM.		[ ] METRIC DIM. AS REF.		REV. : B	PAGE : 2
ZJ CHEN		2023-12-05		S558-10GB-23		TOL. IN INCH		UNIT : INCH [mm]			
DRAWN BY		DATE		FILE NAME		.X		SCALE : N/A			
JL WU		2023-12-05	S55810GB23B.DWG		.XX		SIZE : A4				
					.XXX						



THE INFORMATION CONTAINED HEREIN IS CONSIDERED 'PROPRIETARY' TO BEL FUSE INC. AND SHALL NOT BE COPIED, REPRODUCED OR DISCLOSED WITHOUT THE WRITTEN APPROVAL OF BEL FUSE INC.

SUGGESTED PCB PAD LAYOUT



NOTES:

- STANDARD MARKING REFER TO DOC. HAND-WORK-04.
- PACKAGE CODE: "QABS001".

ORIGINATED BY Lawrence Tsang	DATE 2020-06-10	TITLE MECHANICAL SPECIFICATION	PART NO. / DRAWING NO. S558-10GB-23	STANDARD DIM. TOL. IN INCH	[ ] METRIC DIM. AS REF.	REV. : A	PAGE : 3
DRAWN BY ZC Guo	DATE 2020-06-10		FILE NAME S55810GB23A.DWG	.X	UNIT : INCH [mm]		
				.XX ±0.01	SCALE : N/A		
				.XXX ±0.005	SIZE : A4		