

THE INFORMATION CONTAINED HEREIN IS CONSIDERED "PROPRIETARY" TO BEL FUSE INC. AND SHALL NOT BE COPIED, REPRODUCED OR DISCLOSED WITHOUT THE WRITTEN APPROVAL OF BEL FUSE INC.

**ELECTRICAL CHARACTERISTICS @ 25°C**

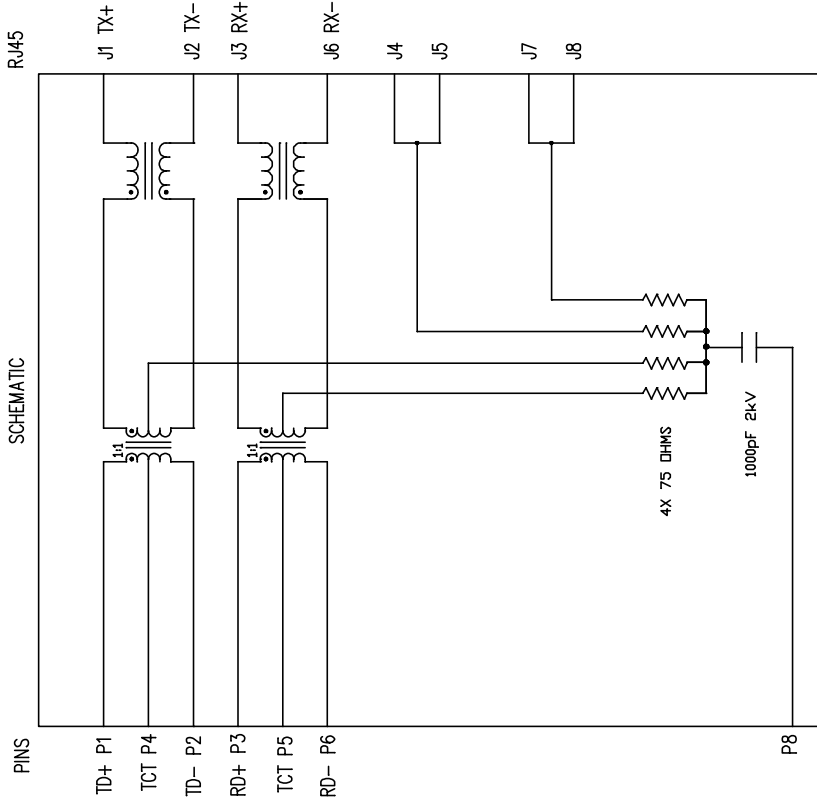
- 1.0 TURNS RATIO: (P3-P5-P6) : (J3-J6)  
(P1-P4-P2) : (J1-J2) : 1CT : 1CT ± 3%  
: 1CT : 1CT ± 3%
- 2.0 INDUCTANCE: (P1-P2) : 350uH MIN. @ 0.1V, 100KHz, 8mA DC Bias  
(P3-P6) : 350uH MIN. @ 0.1V, 100KHz, 8mA DC Bias
- 3.0 LEAKAGE INDUCTANCE: P6-P3 (WITH J6 AND J3 SHORT)  
P2-P1 (WITH J2 AND J1 SHORT) : 0.3 MAX. @ 1MHz  
: 0.3 MAX. @ 1MHz
- 4.0 INTERWINDING CAPACITANCE: (P6,P5,P3) TO (J6,J3)  
(P2,P4,P1) TO (J2,J1) : 30pf MAX @ 1MHz  
: 30pf MAX. @ 1MHz
- 5.0 DC RESISTANCE: (J6-J3)=(J2-J1) : 1.2 ohms Max.
- 6.0 RETURN LOSS: (P6-P4)=100 OHMS AND (P1-P2)=100 OHM REF.  
1MHz TO 30MHz : 18dB MIN.  
60MHz TO 80MHz : 12dB MIN.
- NOTE: 100 OHMS CONNECTED TO (J2-J1) OR (J6-J3).
- 7.0 DIELECTRIC WITHSTAND: (J1, J2) TO (P1, P2)  
(J3, J6) TO (P3, P6) : 1500 Vrms  
: 1500 Vrms
- 8.0 INSERTION LOSS: RS=RL=100 ohms  
100KHz TO 100MHz : 1.1 dB TYP
- 9.0 RISE TIME: RS=100 OHMS AND RL = 100 OHMS  
OUTPUT VOLTAGE = 1 V peak : 3.0 nS MAX  
PULSE WIDTH= 112ns : 3.0 nS MAX
- 10.0 CROSS TALK: 1MHz TO 100MHz : 40 dB TYP
- 11.0 COMMON TO COMMON MODE ATTENUATION: 30MHz TO 100MHz : 35dB TYP
- 12.0 OPERATING TEMPERATURE : 0°C TO 70°C



RoHS



**SCHEMATIC**



**NOTES**

1.0 PINS WITHOUT ELECTRICAL CONNECTION ARE OMITTED.

REV. : A3		PAGE : 2	
STANDARD DIM. [ ] METRIC DIM. AS REF.		UNIT : INCH [mm]	
TOL. IN INCH		SCALE : N/A	
.X		SIZE : A4	
.XX			
.XXX			
PART NO. / DRAWING NO.		SI-60159-F	
FILE NAME		SI-60159-F_A3.DWG	
TITLE		10/100BT MagJack® TAB DOWN, SHIELDED	
ORIGINATED BY	CHEW WANCHUNG		
DATE	2018-10-04		
DRAWN BY	XIE YIMING		
DATE	2018-10-04		

This document is electronically generated. This is a controlled copy if used internally

