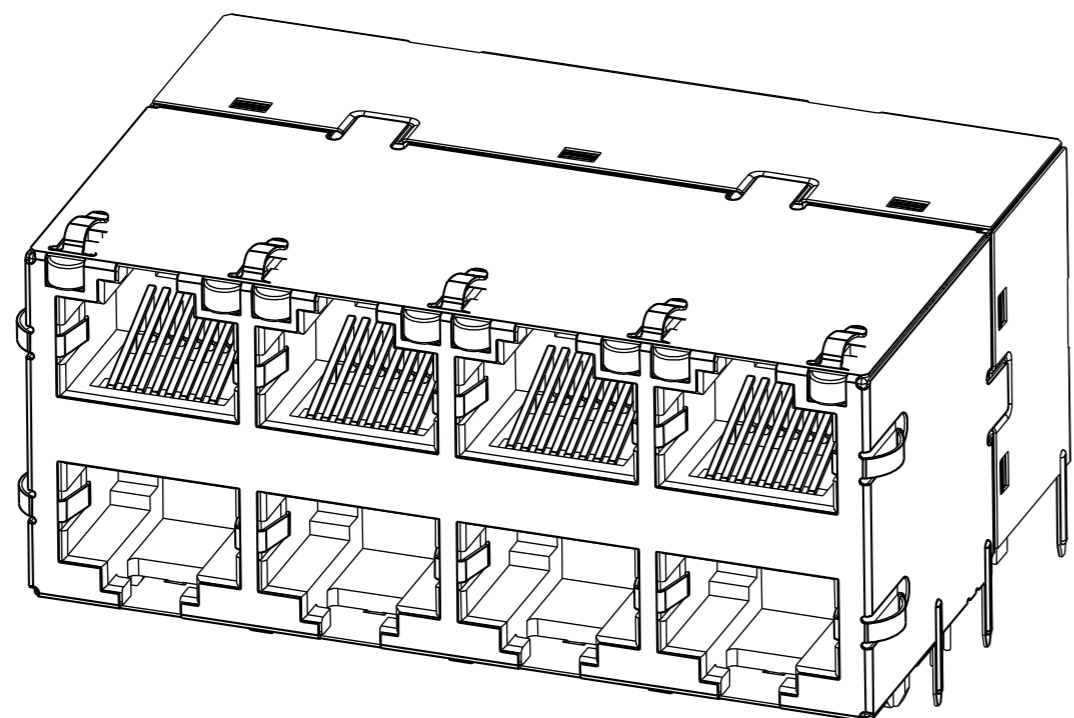


THIS DRAWING AND THE SUBJECT MATTER SHOWN THEREON ARE CONFIDENTIAL AND THE PROPERTY OF BEL/STEWART/TRP CONNECTOR AND SHALL NOT BE REPRODUCED, COPIED, OR USED IN ANY MANNER WITHOUT THE WRITTEN CONSENT OF TRP CONNECTOR.

PRODUCT MAY BE PROTECTED BY ONE OR MORE OF THE FOLLOWING US PATENTS:  
 5736910 5939955 6425781 6428361 6554638 6840817 7123117  
 7429195 7717749 7808751 6217391 6149050 7924130

REVISIONS				
P	LYR	DESCRIPTION	DATE	APPD
4		EC-1411035 COMPANY LOGO CHANGE	15JAN2015	RL TY



1. MATERIALS:  
 PLASTIC HOUSING: BLACK, THERMOPLASTIC FLAMMABILITY RATING UL 94V-0  
 SHIELD: BRASS, PREPLATED WITH 0.76um MIN SEMI-BRIGHT NICKEL,  
 POST DIPPED WITH 2.54um MIN SAC SOLDER OR PURE TIN SOLDER ON SOLDER TAILS  
 CONTACTS: PHOSPHOR BRONZE, 1.27um MIN OVERALL NICKEL  
 UNDERPLATE WITH SELECT 1.27um MIN GOLD AT MATING INTERFACE AND  
 2.54um MIN MATTE TIN ON SOLDER TAILS.  
 LED: DIFFUSED EPOXY LENS, CARBON STEEL LEAD FRAME TAILS OF LED  
 ARE PREPLATED WITH 2.03um MIN SILVER OVER 1.02um MIN NICKEL  
 UNDERPLATE OVER 1.02um MIN COPPER UNDERPLATE. POST-PLATED WITH  
 2.54um MIN MATTE TIN AND/OR SAC SOLDER DIP OR PURE TIN SOLDER DIP

- ⚠ MAGNETICS  
 APPLICATION: 10/100/1000 BASE-T, ULTRA PoE PLUS  
 IMPEDANCE: 100 OHMS  
 TURNS RATIO (CHIP:CABLE): 1:1 ALL FOUR PAIRS  
 OPEN CIRCUIT INDUCTANCE (OCL): ALL CHANNELS  
 350uH MIN @ 100KHz, 0.1 VRMS WITH 8mA DC BIAS FROM 0°C TO 70°C  
 120uH MIN @ 100KHz, 0.1 VRMS WITH 19mA DC BIAS FROM 0°C TO 70°C  
 ALL FOUR PAIRS BI-DIRECTIONAL  
 POE CURRENT: 600mA DC MAX  
 PERFORMANCE @ 25°C:  
 INSERTION LOSS (IL): 1.1dB MAX FROM 0.5MHz TO 100MHz  
 RETURN LOSS (RL): 18dB MIN FROM 0.5MHz TO 40MHz  
 12-20LOG(f/80)dB MIN FROM 40.1MHz TO 100MHz  
 CROSSTALK ATTENUATION: 35dB MIN FROM 0.5MHz TO 40MHz  
 33-20LOG(f/50)dB MIN FROM 40.1MHz TO 100MHz  
 COMMON MODE REJECTION RATIO (CMRR): 30dB MIN FROM 0.5MHz TO 100MHz  
 ISOLATION VOLTAGE: 2250VDC(MAX) FOR 60 SECONDS WITH A RISE TIME OF  
 500V/SEC AND WITH ALL PORTS CONNECTED.

- ⚠ PART NUMBER, DATE CODE AND COUNTRY OF ORIGIN ARE LOCATED  
 IN APPROXIMATE AREA SHOWN. DATE CODE: "YY" IS YEAR, "WW" IS  
 WORK WEEK, "D" IS DAY OF WEEK, WITH SUNDAY=1

- ⚠ TRP CONNECTOR LOGO AND AGENCY APPROVAL LOGO ARE  
 LOCATED IN APPROXIMATE AREA SHOWN.

5. OPERATING TEMP: FROM 0°C TO +70°C.

6. RJ45 CAVITY CONFORMS TO FCC RULES AND REGULATION PART 68 SUBPART F.  
 ⚠ INDICATED MAGNETIC CONNECTIONS ARE SYMMETRICAL AND  
 SUPPORT AUTO-MDI/MDIX.

- ⚠ DATUM AND BASIC DIMENSION ESTABLISHED BY CUSTOMER.

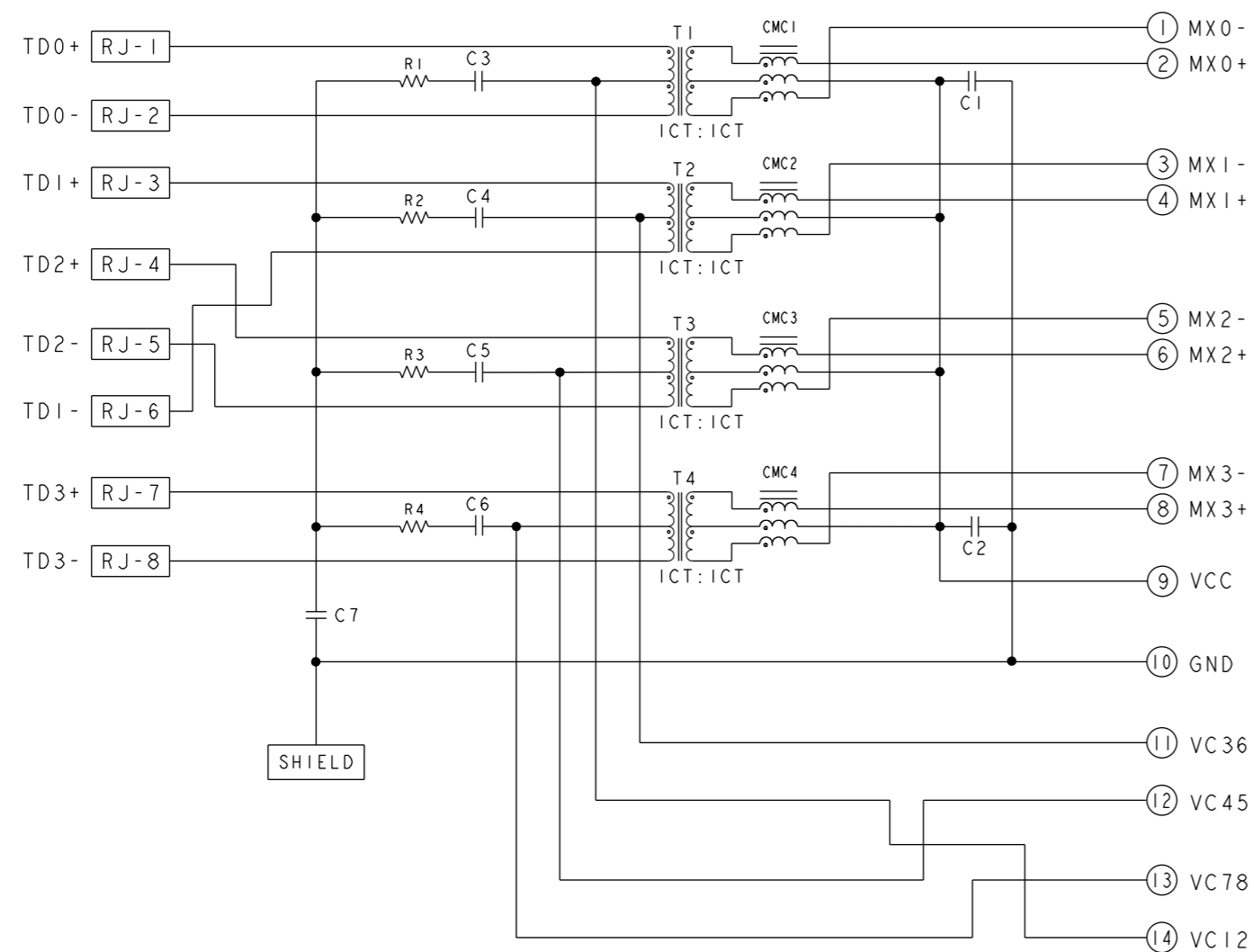
- ⚠ BASIC DIMENSION ESTABLISHED BY CUSTOMER, BUT MAY NOT BE  
 GREATER THAN 5.08mm.

- ⚠ LEDs ARE DRIVEN WITH CONSTANT CURRENT AT APPROX 20mA  
 LED COLOR: DOMINANT WAVELENGTH (λD): GREEN 568 nm TYP. @ IF=20mA  
 FORWARD VOLTAGE (VF): GREEN 2.2V TYP. @ IF=20mA  
 DOMINANT WAVELENGTH (λD): ORANGE 605 nm TYP. @ IF=20mA  
 FORWARD VOLTAGE (VF): ORANGE 2.1V TYP. @ IF=20mA

11. THE PARTS ARE RECOMMENDED FOR WAVE SOLDERING PROCESS,  
 PEAK TEMPERATURE 260°C MAX, 10 SECONDS MAX.

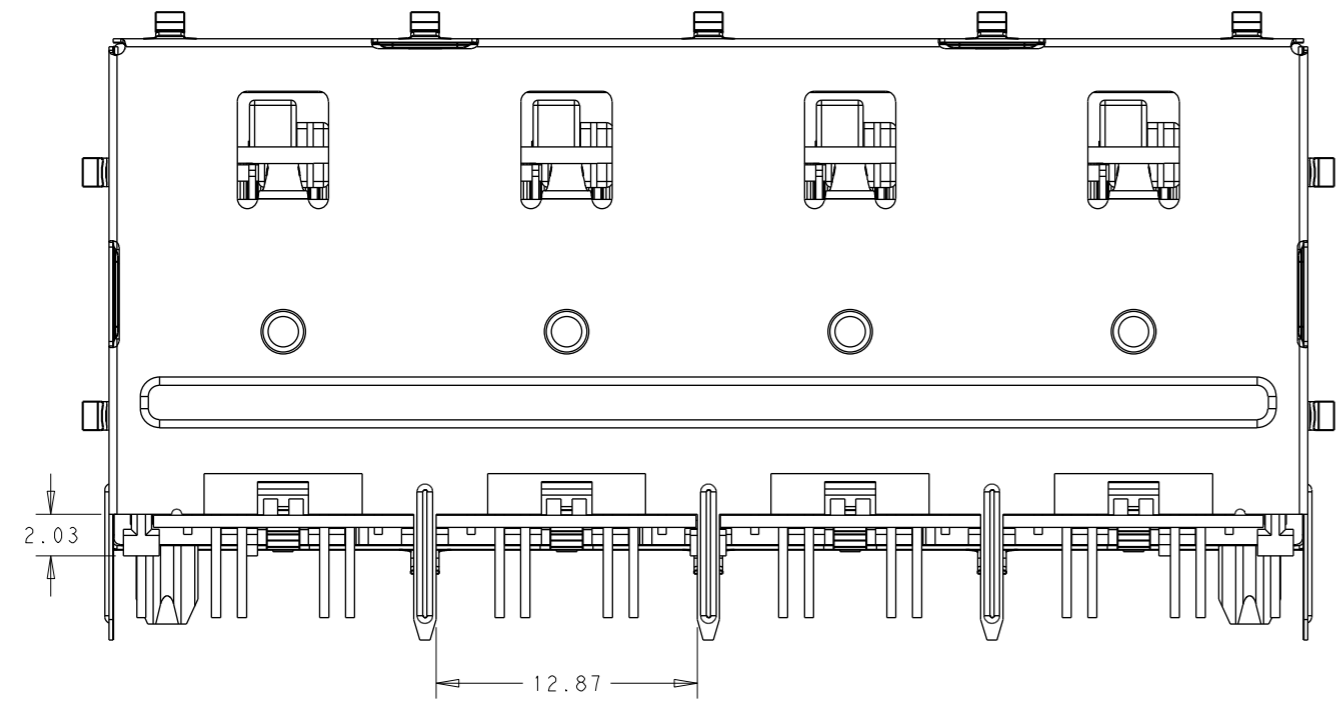
### S9HG154P1 GIGABIT UPoE CIRCUIT ⚠⚠

TOP AND BOTTOM PORTS

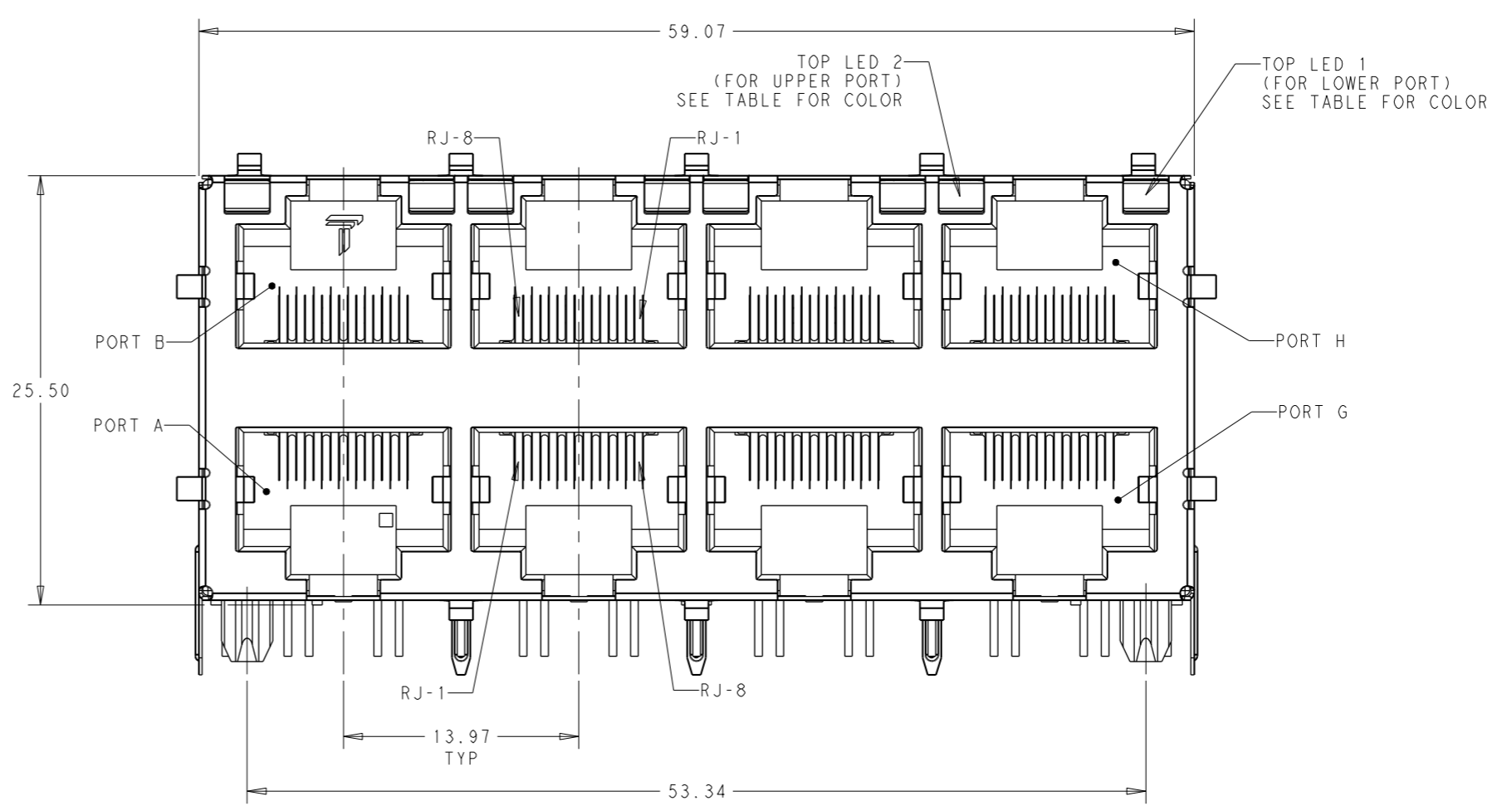
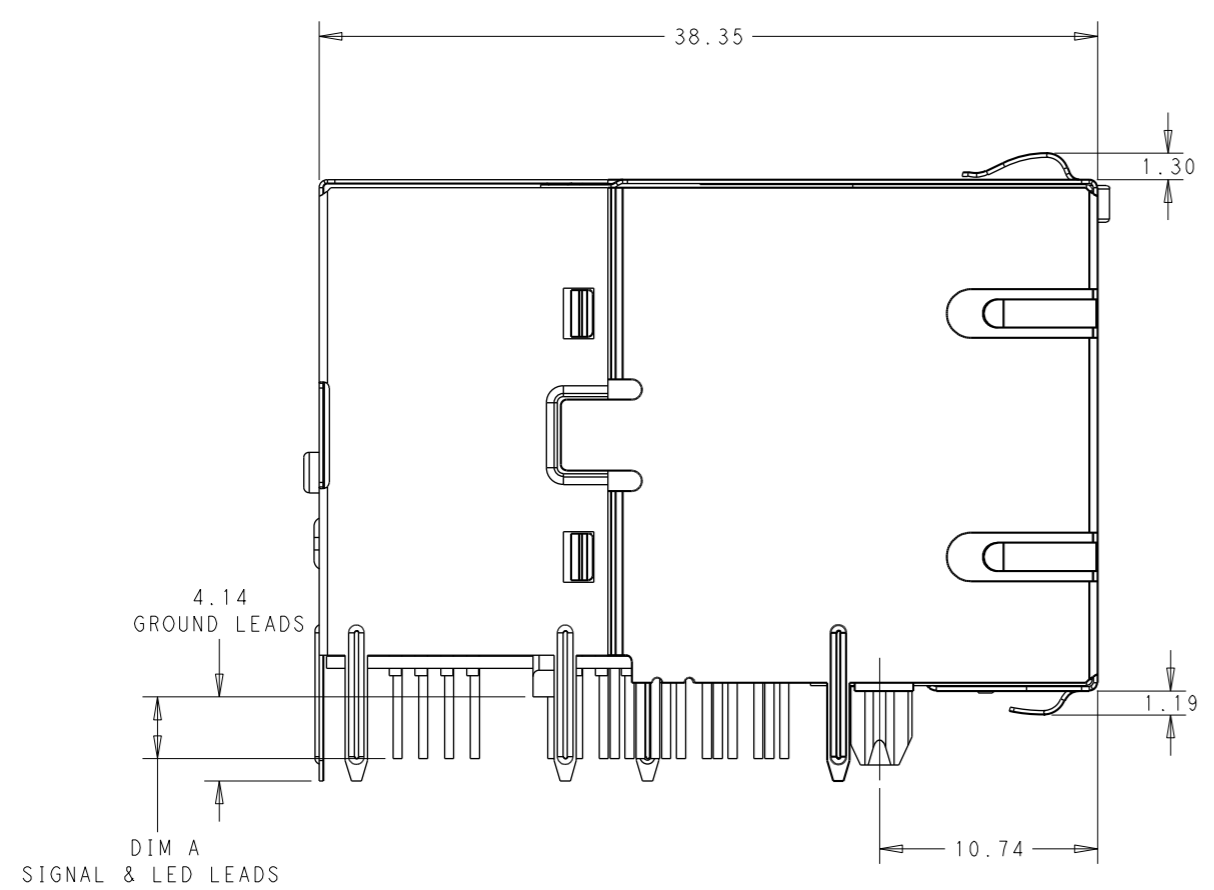
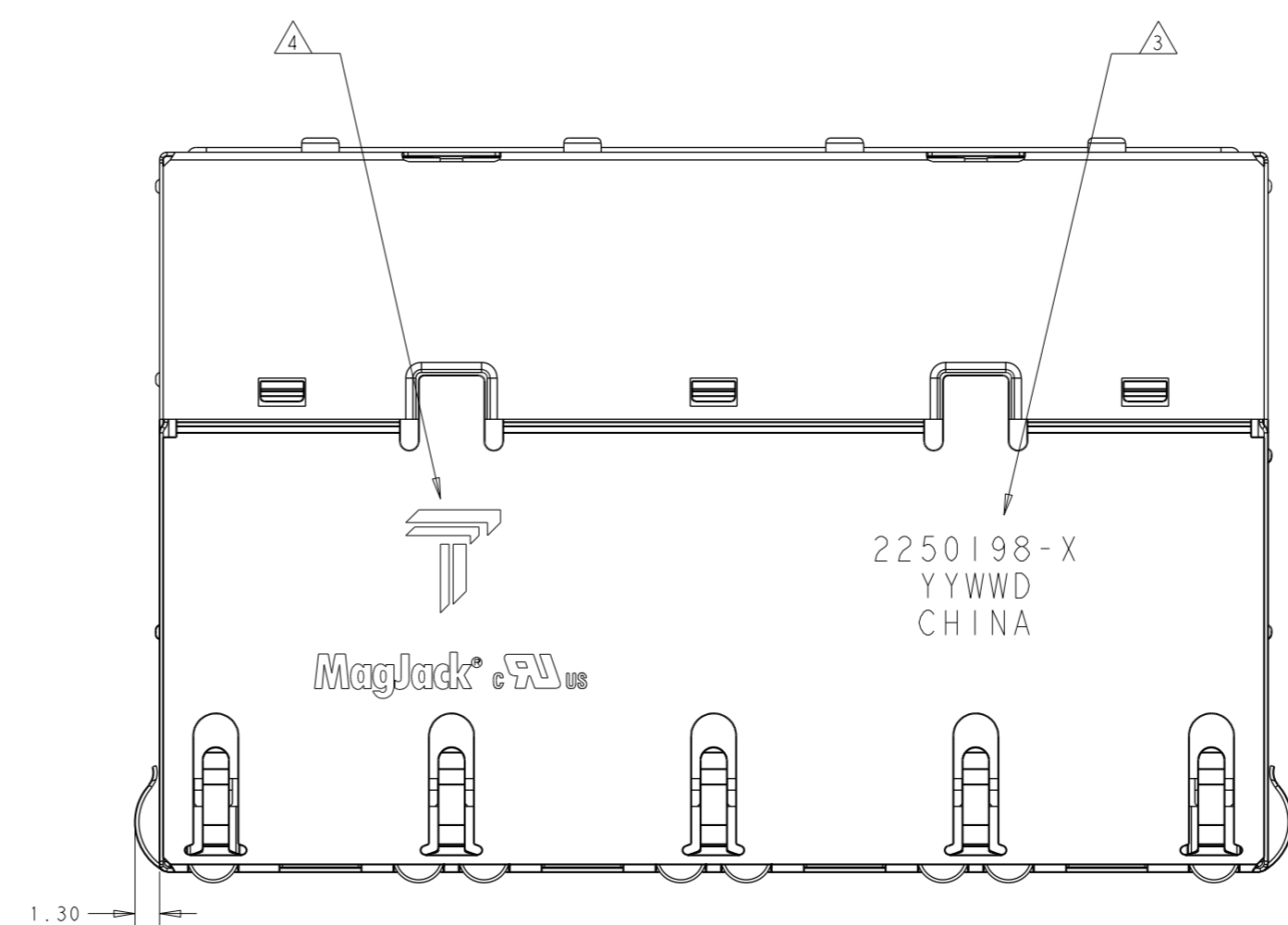


C1-C2 = 10nF, 50V, X7R, CAPACITORS  
 C3-C6 = 22nF, 100V, CAPACITORS  
 C7 = 1000pF, 2kV, CAPACITOR  
 R1-R4 = 75 Ohms, 1/16W, RESISTORS

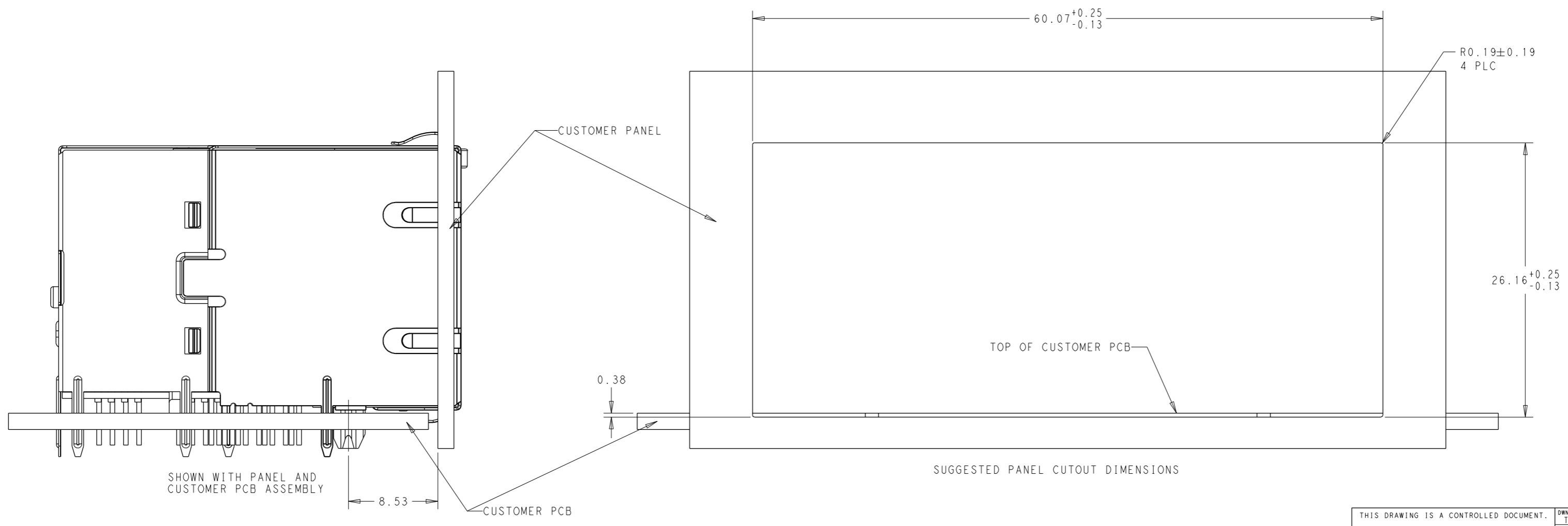
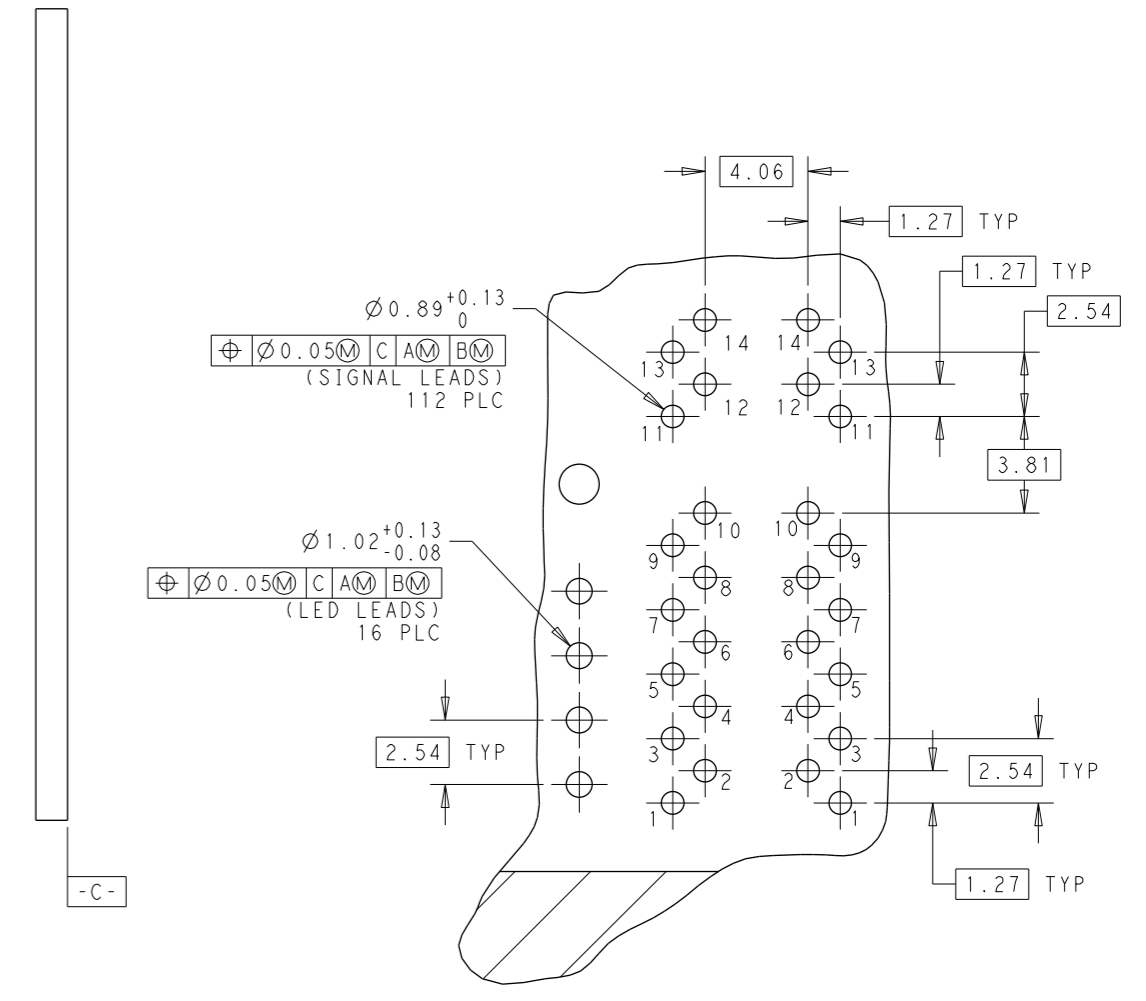
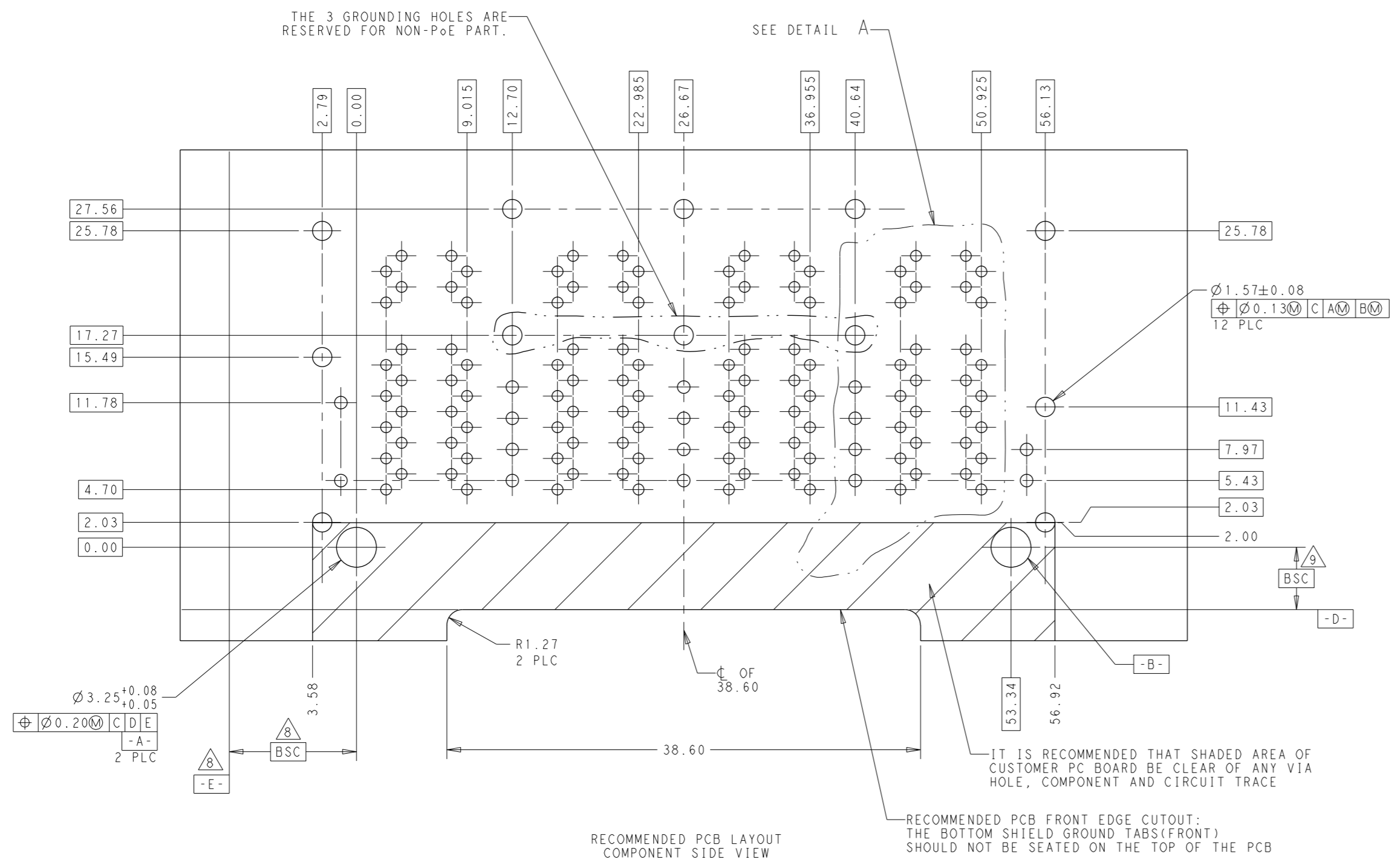
3.56	GRN/ORA	GRN/ORA	2250198-7
DIM A	TOP LED 2 (FOR UPPER PORT)	TOP LED 1 (FOR LOWER PORT)	PART NUMBER
THIS DRAWING IS A CONTROLLED DOCUMENT.		DWN: TOMMY REN/LEERY LIN 19MAY2014 CHK: TONY YUAN 19MAY2014 APPD: TONY YUAN 19MAY2014	
DIMENSIONS: mm 		TOLERANCES UNLESS OTHERWISE SPECIFIED: 0 PLC ±0.25 1 PLC ±0.25 2 PLC ±0.25 3 PLC ± 4 PLC ± ANGLES APPLICATION SPEC	
PRODUCT SPEC 		MODEL NAME MAGJACK STACK 4PPoE DESC: 2X4, S9HG154P1 GIGABIT UPoE CIRCUIT, W/ LED SIZE: A1 CAGE CODE: 2250198 DRAWING NO: 2250198 RESTRICTED TO:	
CUSTOMER DRAWING		SCALE: NTS	SHEET 1 OF 4 REV 4



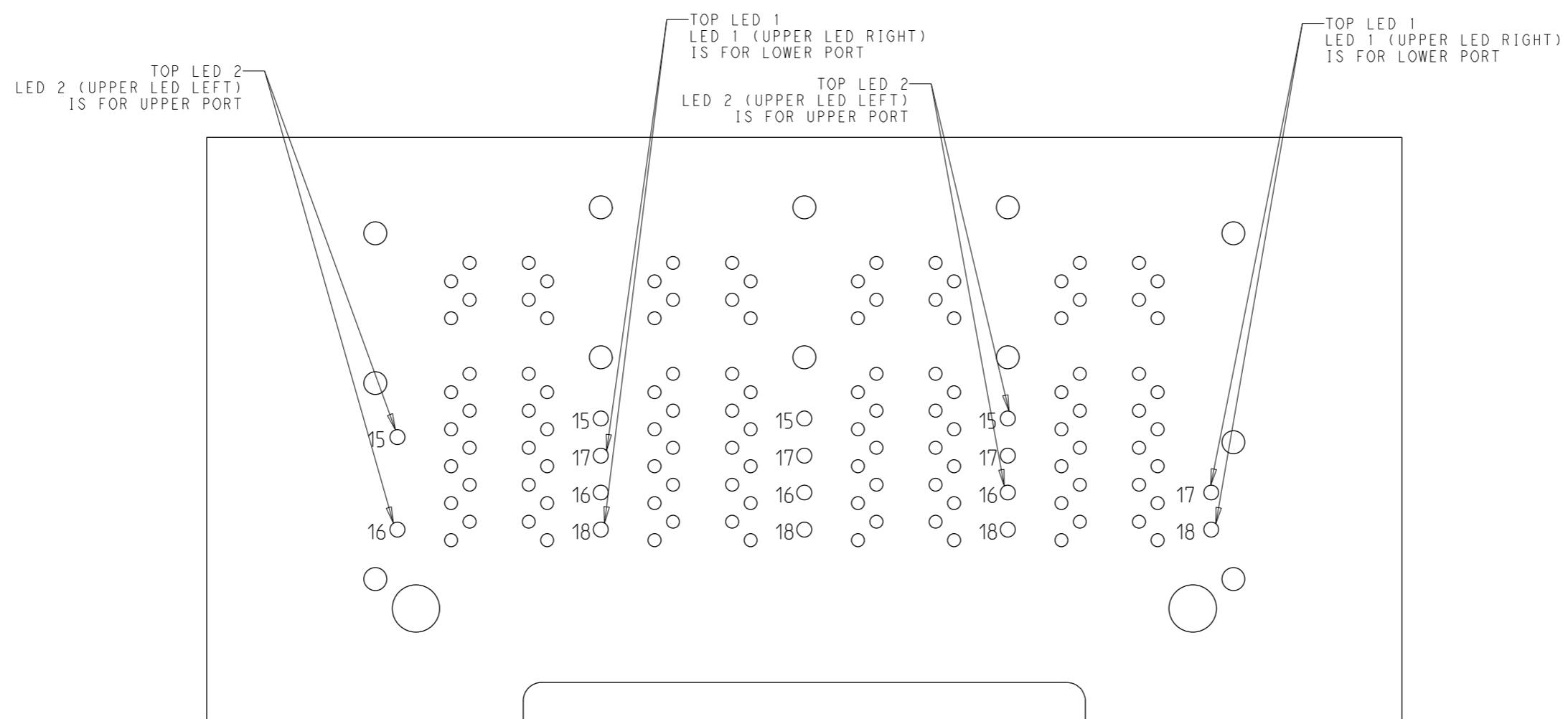
BACK VIEW



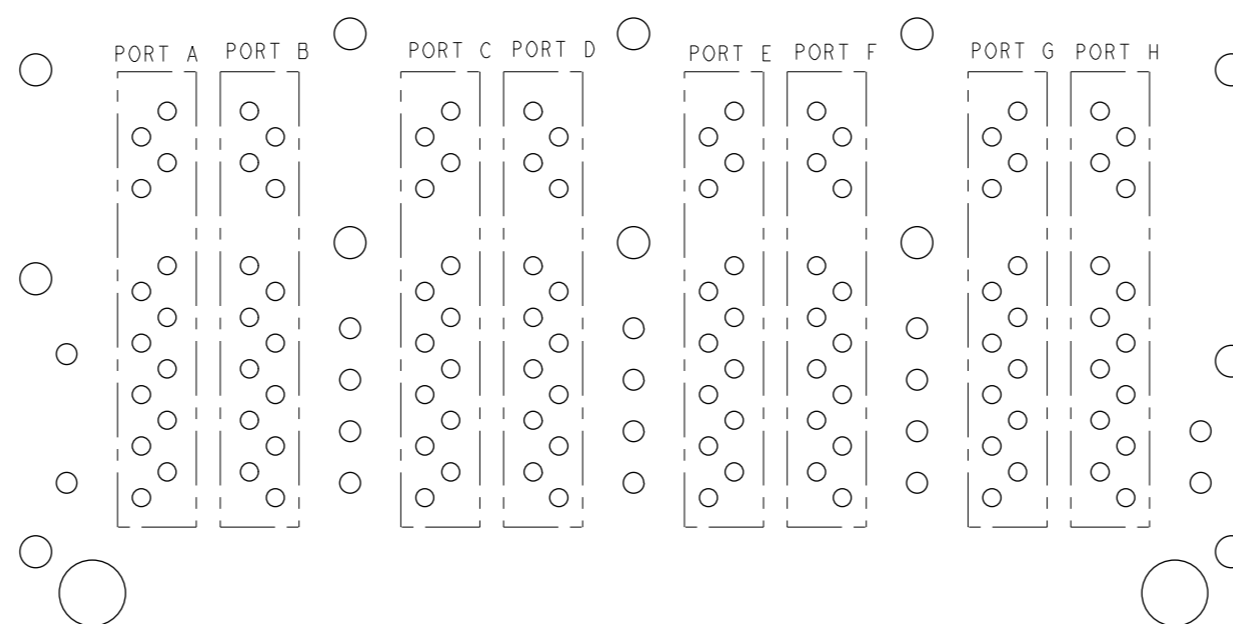
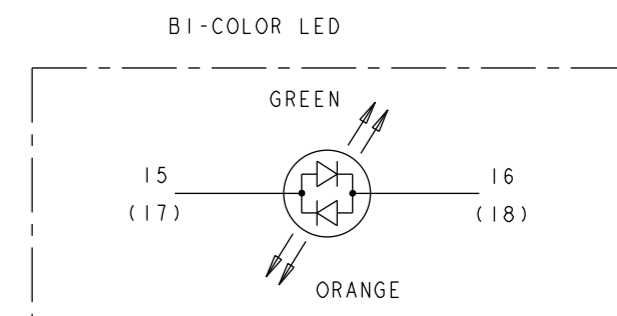
THIS DRAWING IS A CONTROLLED DOCUMENT.		DWN: TOMMY REN/IEBRY LIN 19MAY2014			DONGGUAN CHINA
		CHK: TONY YUAN 19MAY2014			
		APPV: TONY YUAN 19MAY2014		DESC: 2X4, S9HG154P1 GIGABIT UPoE CIRCUIT, W/ LED	
DIMENSIONS: mm		TOLERANCES UNLESS OTHERWISE SPECIFIED:		MODEL NAME: MAGJACK STACK 4PPoE	
		0 PLC ±0.25		SIZE: A1	
		1 PLC ±0.25		CAGE CODE: C=2250198	
		2 PLC ±0.25		DRAWING NO: -	
		3 PLC ±		RESTRICTED TO: -	
		4 PLC ±		SCALE: NTS	
PRODUCT SPEC: -		APPLICATION SPEC: -		SHEET 2 OF 4	
				REV 4	




THIS DRAWING IS A CONTROLLED DOCUMENT. DIMENSIONS: mm		TOLERANCES UNLESS OTHERWISE SPECIFIED:		DWN: TOMMY REN/IEBRY LIN 19MAY2014		CHK: TONY YUAN 19MAY2014		APPR: TONY YUAN 19MAY2014		DONGGUAN CHINA	
		0 PLC	$\pm 0.25$	MODEL NAME		DESC		SIZE		RESTRICTED TO	
		1 PLC	$\pm 0.25$	MAGJACK		2X4, S9HG154P1 GIGABIT		A1		-	
		2 PLC	$\pm 0.25$	STACK 4PoE		UPoE CIRCUIT, W/ LED		C=2250198		-	
		3 PLC	$\pm 0.25$	CUSTOMER DRAWING		SCALE		SHEET		REV	
		4 PLC	$\pm 0.25$	SCALE NTS		SHEET 3 OF 4		REV 4			



LED HOLE DESIGNATIONS VIEWED FROM COMPONENT SIDE



PORT ASSIGNMENT COMPONENT SIDE VIEW

THIS DRAWING IS A CONTROLLED DOCUMENT.		DWN: TOMMY REN/TERRY LIN 19MAY2014	 <b>trp</b> CONNECTOR <small>a bel group</small>	DONGGUAN CHINA
DIMENSIONS: mm		CHK: TONY YUAN 19MAY2014		DESC: 2X4, S9HG154P1 GIGABIT UPoE CIRCUIT, W/ LED
TOLERANCES UNLESS OTHERWISE SPECIFIED:		APPD: TONY YUAN 19MAY2014	SIZE: A1	
0 PLC ±0.25		MODEL NAME: MAGJACK STACK 4PPoE	CAGE CODE: C=2250198	
1 PLC ±0.25		DRAWING NO: CUSTOMER DRAWING		RESTRICTED TO: -
2 PLC ±0.25		SCALE: NTS		SHEET: 4 OF 4
3 PLC ±		REV: 4		
4 PLC ±				
ANGLES ±				
APPLICATION SPEC				