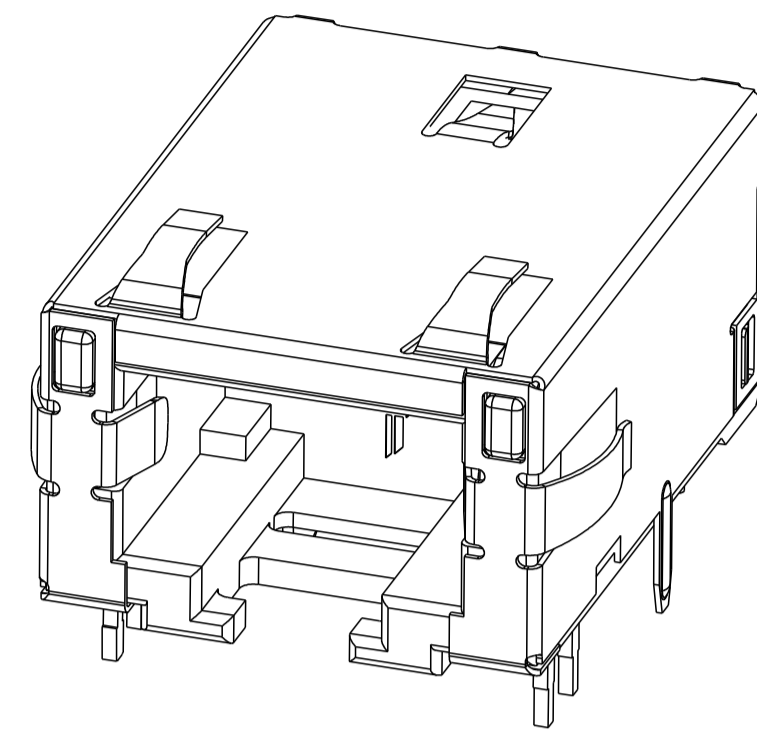
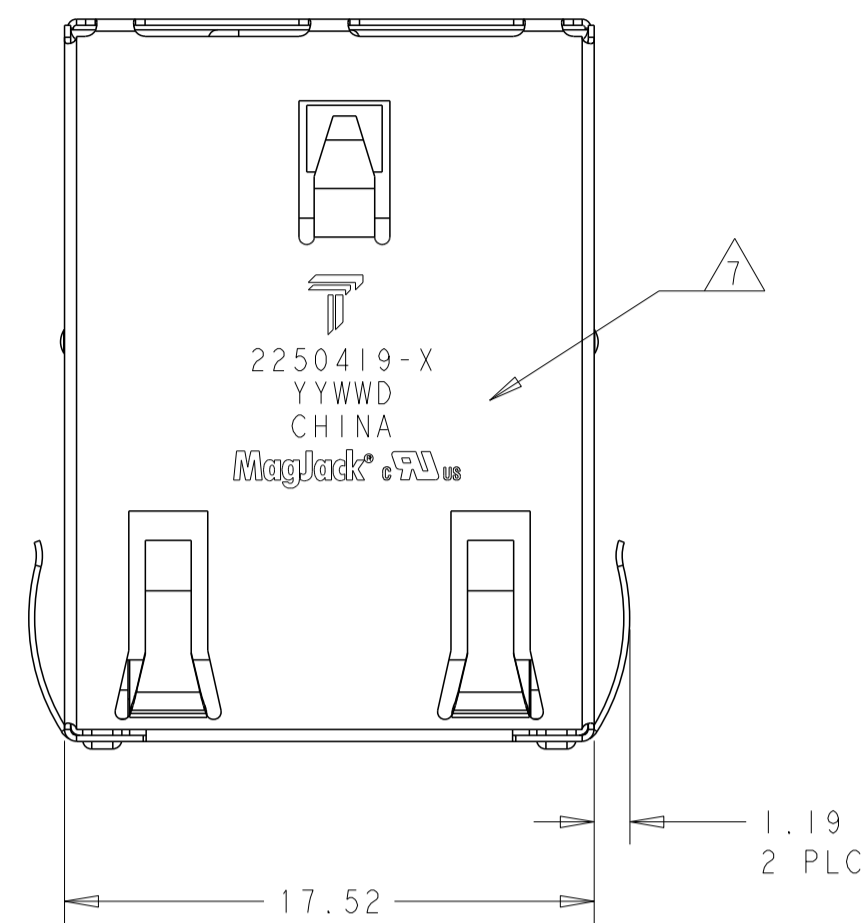


THIS DRAWING AND THE SUBJECT MATTER SHOWN THEREON ARE CONFIDENTIAL AND THE PROPERTY OF BEL/STEWART/TRP CONNECTOR AND SHALL NOT BE REPRODUCED, COPIED, OR USED IN ANY MANNER WITHOUT THE WRITTEN CONSENT OF TRP CONNECTOR.

PRODUCT MAY BE PROTECTED BY ONE OR MORE OF THE FOLLOWING US PATENTS:  
 5736910 5939955 6425781 6428361 6554638 6840817 7123117  
 7429195 7717749 7808751 6217391 6149050 7924130

REVISIONS					
P.	LTN	DESCRIPTION	DATE	DMN	APVD
1		SEE LAST SHEET	08JUN2016	TRY	TY



1. MATERIALS:

- HOUSING: HIGH TEMPERATURE NYLON, BLACK, UL 94V-0
- SHIELD: 0.20mm THICK, BRASS PREPLATED WITH 0.76 um MIN SEMI-BRIGHT NICKEL; POST-DIPPED WITH 2 um MIN TIN
- CONTACT TAILS: 0.25mm THICK, PHOSPHOR BRONZE, 1.27 um MIN OVERALL NICKEL UNDERPLATE, WITH 1.27 MIN GOLD PLATING AT MATING INTERFACE, 3 um MIN TIN PLATE ON SOLDER TAILS
- MOD JACK CONTACTS: 0.3mm THICK, PHOSPHOR BRONZE, 1.27 um MIN OVERALL NICKEL UNDERPLATE, WITH 1.27 um MIN LOCALIZED GOLD PLATE AT PLUG INTERFACE
- LIGHT EMITTING DIODE (LED): DIFFUSED EPOXY LENS, 0.5mm X 0.5mm CARBON STEEL WIREFRAME LEADS PREPLATED WITH 2.03um MIN. SILVER PLATE OVER 1.02um MIN. NICKEL OVER 1.02um MIN. COPPER UNDERPLATE; LEADS POST-PLATED WITH 3.05um MIN. MATTE TIN. DIPPED WITH 2 um MIN TIN
- LIGHT PIPE: POLYETHER SULFONE

△ RJ45 JACK CAVITY CONFORMS TO FCC RULES AND REGULATIONS PART 68, SUB-PART F.

△ MAGNETICS:

- APPLICATION: 5G
- IMPEDANCE: 100 OHMS
- TURNS RATIO (CHIP:CABLE): 1:1 ALL FOUR PAIRS
- OPEN CIRCUIT INDUCTANCE (OCL): 160 uH MIN @ 100kHz, 0.1VRMS, 8mA DC BIAS FROM 0 °C TO 70 °C, ALL FOUR PAIRS
- ALL FOUR PAIRS BI-DIRECTIONAL
- PERFORMANCE @ 25 °C:
- RETURN LOSS
- 1MHz to 50MHz -20dB MAX
- 50MHz to 200MHz -20+8log10(f/50MHz) dB MAX
- 200MHz to 300MHz -15+30log10(f/200MHz) dB MAX
- ISOLATION VOLTAGE: 2250VDC FOR 60 SECONDS WITH A RISE TIME OF 500V/SEC

4. OPERATING TEMPERATURE: FROM 0°C TO 70°C

△ LIGHT PIPES ARE USED TO TRANSMIT LIGHT OF LED.

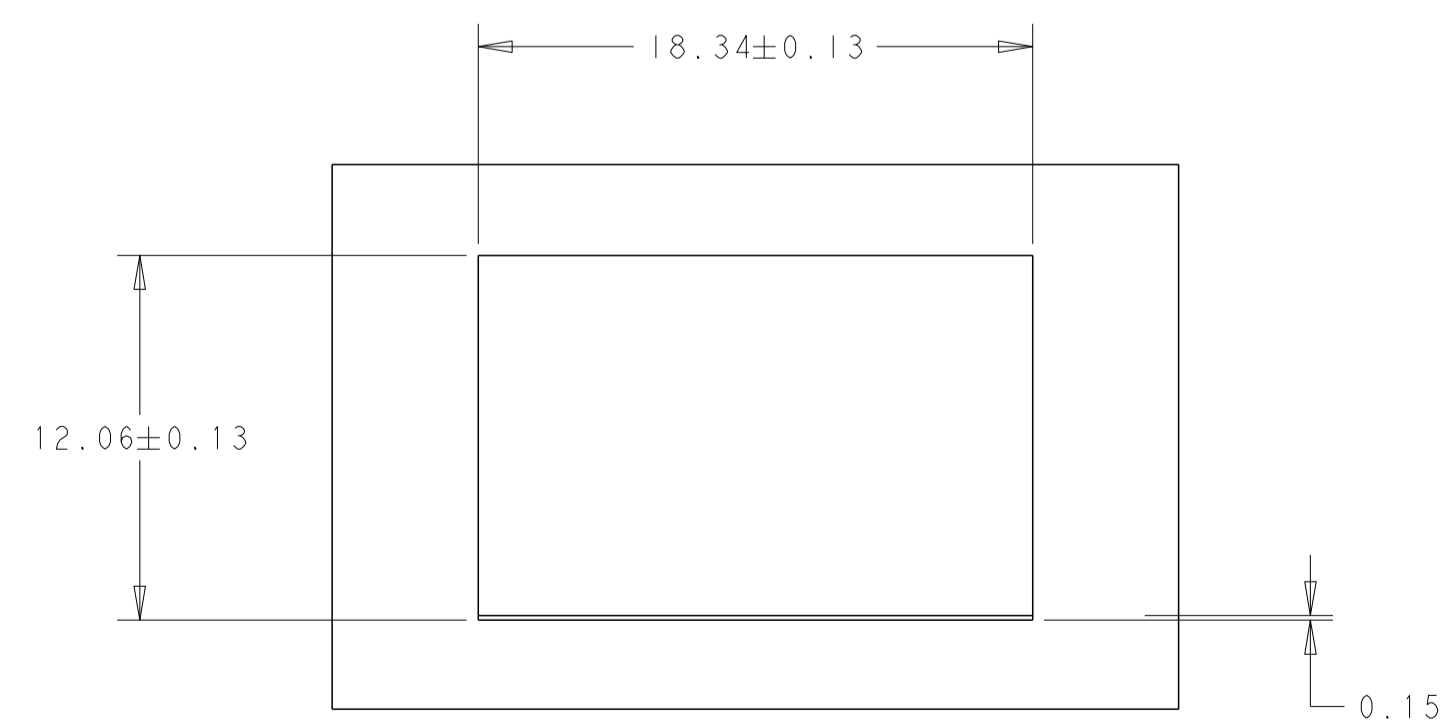
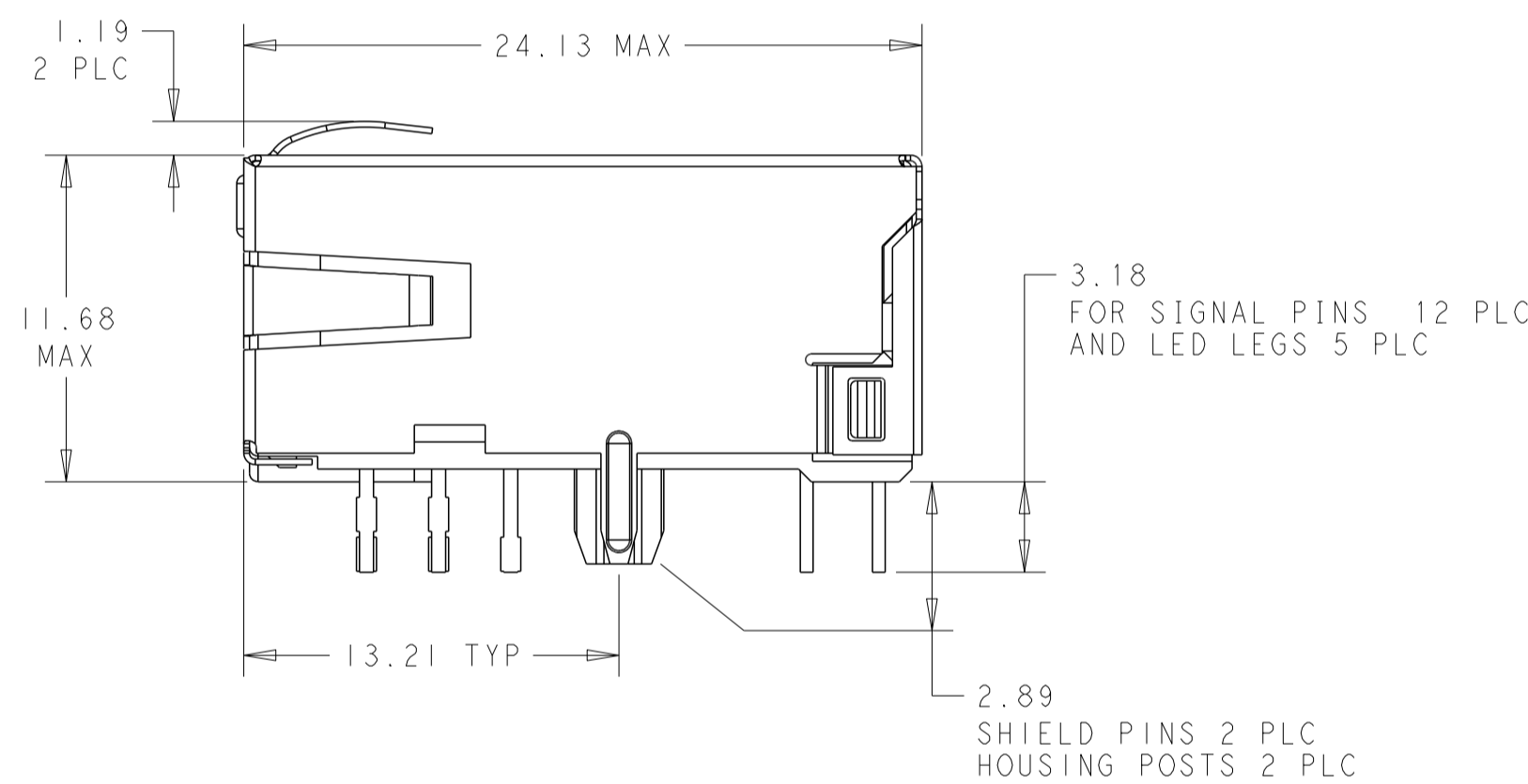
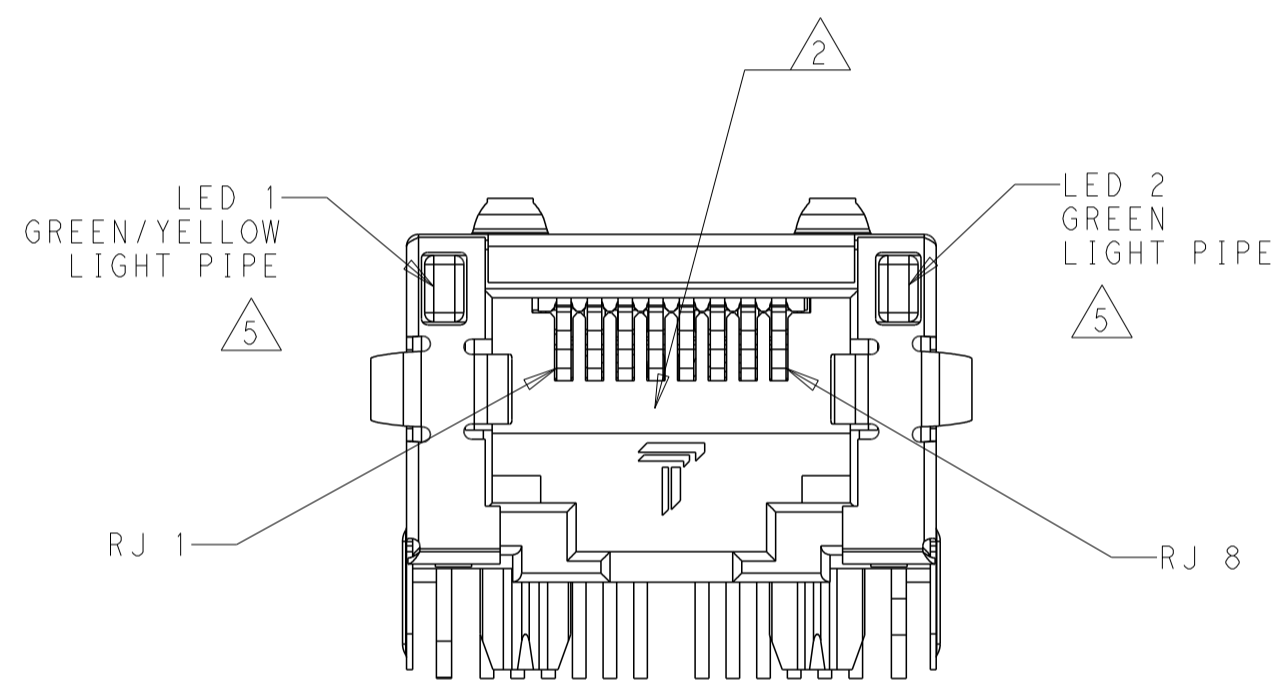
LEDS ARE DRIVEN WITH CONSTANT CURRENT AT APPROX 20mA.

- LED COLOR: DOMINANT WAVELENGTH ( D): GREEN 568nm TYP. at IF=20mA  
 FORWARD VOLTAGE (VF): GREEN 2.2V TYP. at IF=20mA  
 DOMINANT WAVELENGTH ( D): YELLOW 588nm TYP. at IF=20mA  
 FORWARD VOLTAGE (VF): YELLOW 2.1V TYP. at IF=20mA

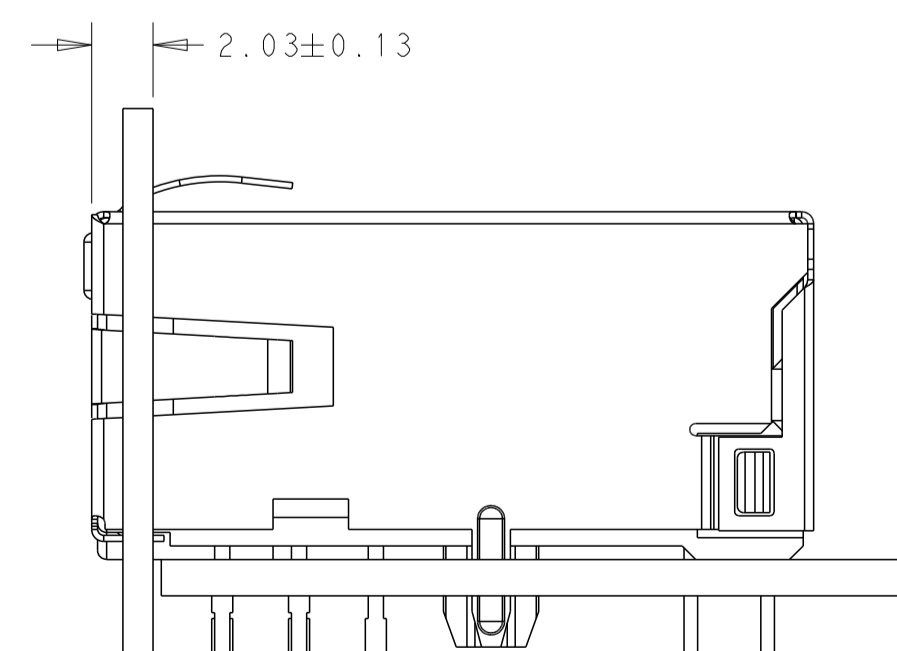
6. ALL DIMENSIONS ARE NOMINAL UNLESS OTHERWISE NOTED.

△ TRP CONNECTOR LOGO, PART NUMBER, DATE CODE, COUNTRY OF ORIGIN, AND AGENCY APPROVAL MARKING IN APPROXIMATE LOCATION SHOWN, DATE CODE: YYWD WHERE YY IS YEAR, WW IS WORK WEEK, D IS DAY OF WEEK, WITH SUNDAY=1.

△ THIS PART COMPLIANTS TO WAVE SOLDERING PROCESS, PREHEAT TEMPERATURE IS 120°C TO 160°C, 120 SECONDS TO 180 SECONDS, PEAK SOLDERING TEMPERATURE IS 260°C MAX, 10 SECONDS MAX

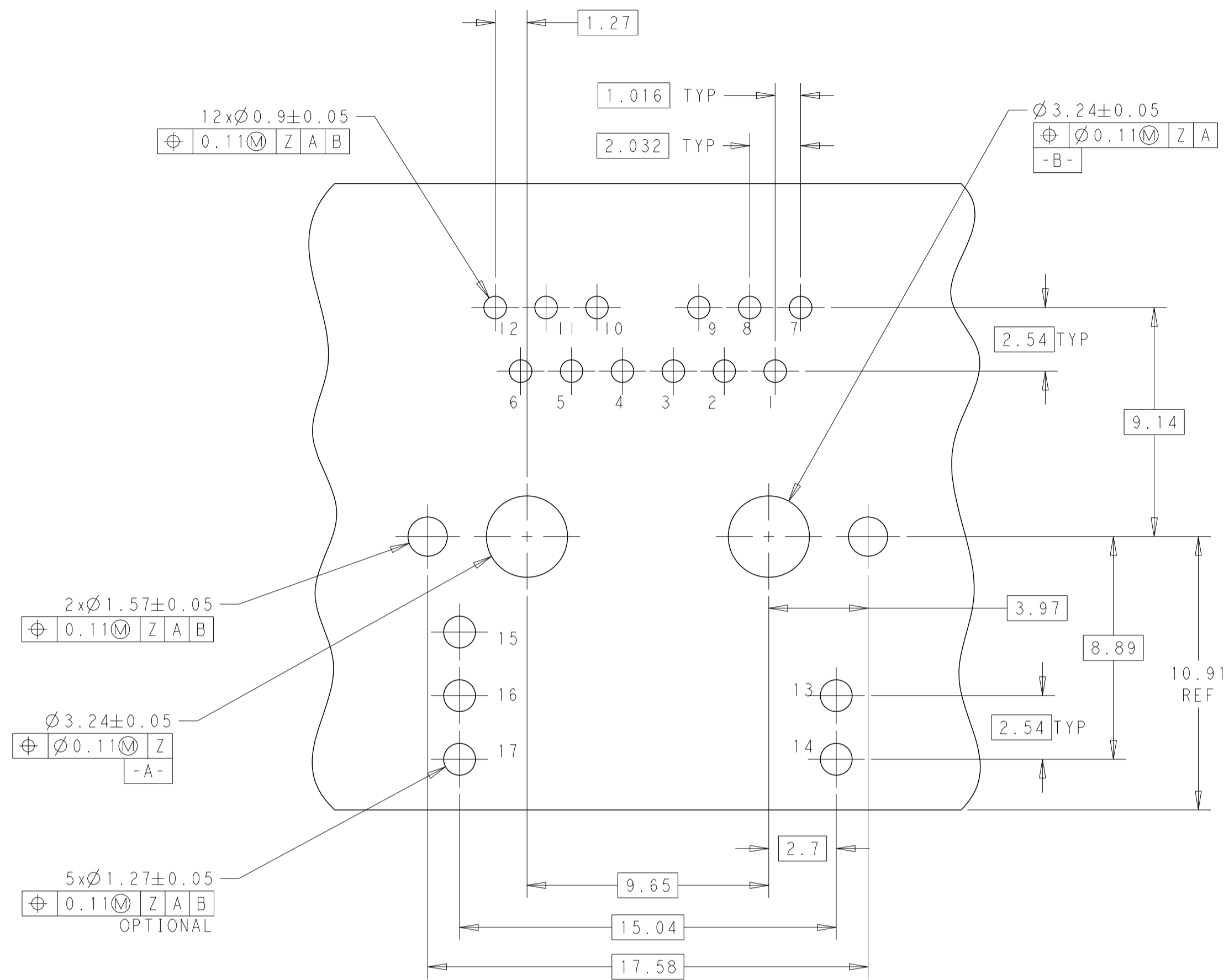


SUGGESTED PANEL CUTOUT

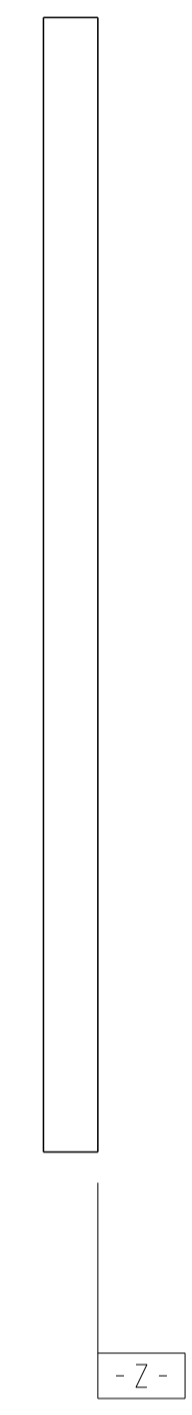


TRAY	WAVE △	YELLOW	GREEN	GREEN	2250419-1
PACKAGE METHOD	SOLDERING PROCESS	16 → 15	16 → 17	14 → 13	PART NO.
		LED 1		LED 2	

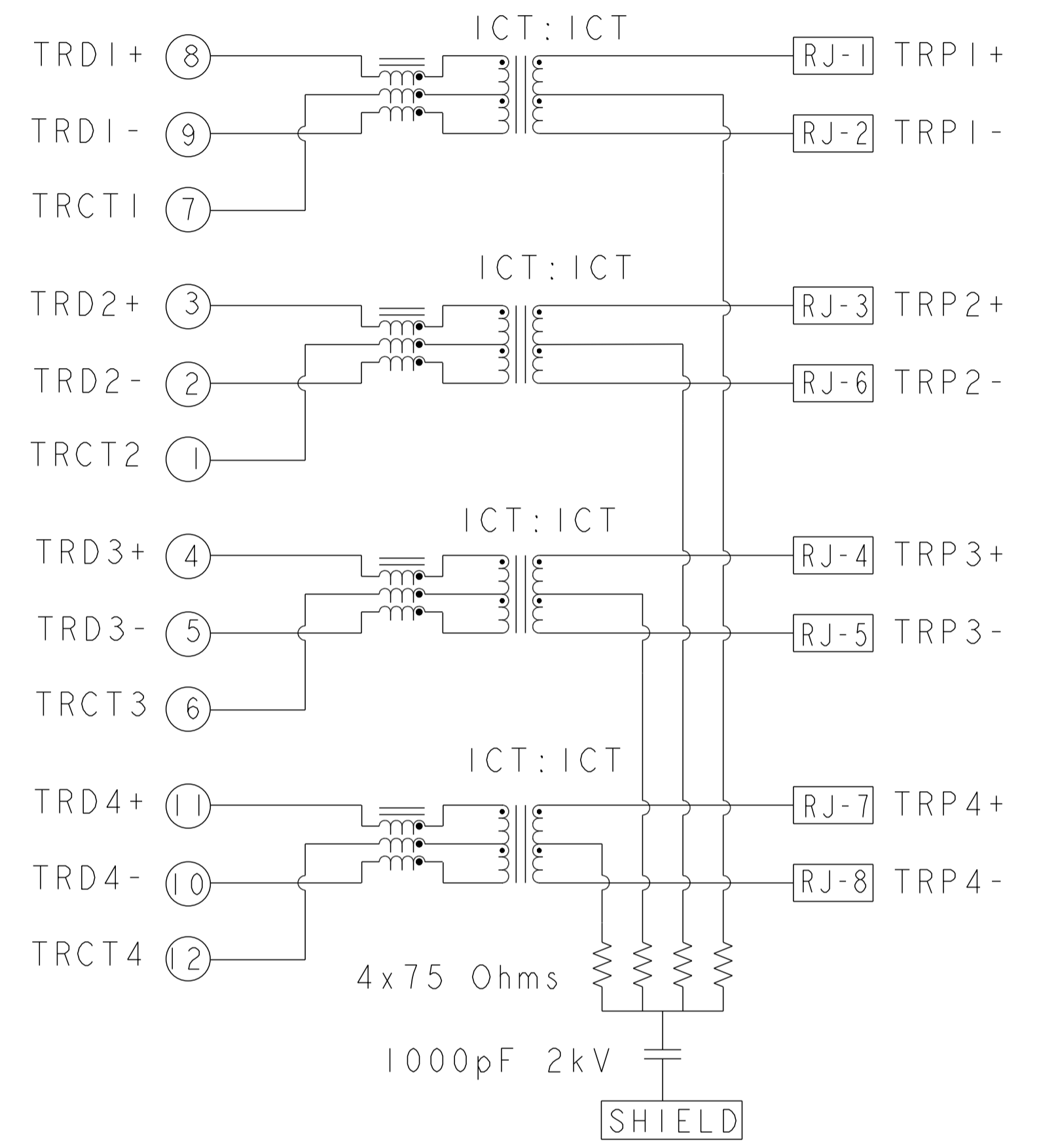
THIS DRAWING IS A CONTROLLED DOCUMENT. AND COMPLIANT TO ASME Y14.5M		DMN TOWER YU // 08 JUN 2016	 TRP CONNECTOR a bel group DONGGUAN CHINA
DIMENSIONS: mm		CHK BILL FRANK LIU 08 JUN 2016	
TOLERANCES UNLESS OTHERWISE SPECIFIED:		APVD TONY YUAN 08 JUN 2016	MODEL NAME
0 PLC ±0.25 1 PLC ±0.25 2 PLC ±0.25 3 PLC ± 4 PLC ± ANGLES ± APPLICATION SPEC ±		PRODUCT SPEC 108-104004	DESC 1X1 5G 8HT01 TAB DOWN LOW PROFILE W/ LED SIZE CAGE CODE DRAWING NO RESTRICTED TO A1 C=2250419 CUSTOMER DRAWING SCALE 4:1 SHEET 1 OF 3 REV 1



SUGGESTED PCB LAYOUT  
(COMPONENT SIDE)




8HT01 5G CIRCUIT



THIS DRAWING IS A CONTROLLED DOCUMENT. AND COMPLIANT TO ASME Y14.5M		DWN TOWER YU // 08 JUN 2016 CHK BILL FRANK LIU 08 JUN 2016 APYD TONY YUAN 08 JUN 2016	DONGGUAN CHINA
DIMENSIONS: mm	TOLERANCES UNLESS OTHERWISE SPECIFIED: 0 PLC ±0.25 1 PLC ±0.25 2 PLC ±0.25 3 PLC ±0.25 4 PLC ± ANGLES ± APPLICATION SPEC ±	MODEL NAME MAGJACK SINGLE NON-POE	
PRODUCT SPEC 108-104004	APPLICATION SPEC -	SIZE CAGE CODE DRAWING NO A1 C=2250419	RESTRICTED TO -
CUSTOMER DRAWING		SCALE 4:1	SHEET 2 OF 3 REV 1

2250419_C				STOCK DISPOSITION				
				A: CONTINUE AS IS		D: USE OLD FIRST		
				B: REWORK		E: PARTS TO CONFORM		
				C: SCRAP		F: OTHER		
REVISION HISTORY								
DATE	REV	CHANGES	REASON	APPROVAL	INVENTORY (A,B,C,D,E,F)	WORK IN PROCESS (A,B,C,F)	SUPPLIER ORDERS (A,E,F)	OPEN CUST ORDERS (A,E,F)
08JUN2016	1	CROSS ES15013	INITIAL RELEASE	TY	-	-	-	-

THIS DRAWING IS A CONTROLLED DOCUMENT. AND COMPLIANT TO ASME Y14.5M		OWN TOWER YU / 08 JUN 2016	CHK BILL / FRANK LIU / 08 JUN 2016	 <b>trp</b> CONNECTOR a bel group	DONGGUAN CHINA																		
DIMENSIONS: mm		TOLERANCES UNLESS OTHERWISE SPECIFIED:			APPR TONY YUAN / 08 JUN 2016	MODEL NAME MAGJACK																	
<table border="1"> <tr><td>0 PLC</td><td>±0.25</td></tr> <tr><td>1 PLC</td><td>±0.25</td></tr> <tr><td>2 PLC</td><td>±0.25</td></tr> <tr><td>3 PLC</td><td>±</td></tr> <tr><td>4 PLC</td><td>±</td></tr> </table>		0 PLC	±0.25	1 PLC	±0.25	2 PLC	±0.25	3 PLC	±	4 PLC	±	<table border="1"> <tr><td>SIZE</td><td>CAGE CODE</td><td>DRAWING NO</td><td>RESTRICTED TO</td></tr> <tr><td>A1</td><td></td><td>C=2250419</td><td>-</td></tr> </table>		SIZE	CAGE CODE	DRAWING NO	RESTRICTED TO	A1		C=2250419	-	DESC IX1 5G 8HT01 TAB DOWN LOW PROFILE W/ LED	
0 PLC	±0.25																						
1 PLC	±0.25																						
2 PLC	±0.25																						
3 PLC	±																						
4 PLC	±																						
SIZE	CAGE CODE	DRAWING NO	RESTRICTED TO																				
A1		C=2250419	-																				
PRODUCT SPEC 108-104004		APPLICATION SPEC -		CUSTOMER DRAWING																			
				SCALE 4:1	SHEET 3 OF 3																		
				REV 																			