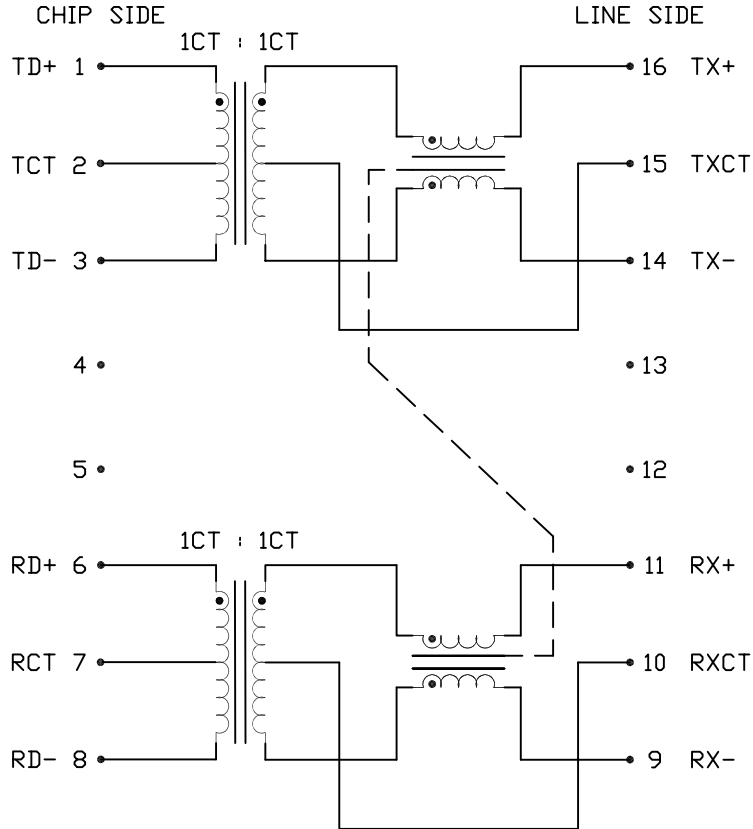


THE INFORMATION CONTAINED HEREIN IS CONSIDERED "PROPRIETARY" TO BEL FUSE INC. AND SHALL NOT BE COPIED, REPRODUCED OR DISCLOSED WITHOUT THE WRITTEN APPROVAL OF BEL FUSE INC.

ELECTRICAL CHARACTERISTICS @ 25°C



SCHEMATIC



<p>URNS RATIO</p> <p>PIN 1-2-3 : 16-15-14</p> <p>PIN 6-7-8 : 11-10-9</p> <p>DCL (0°~70°C)</p> <p>Tx PIN 1-3 OPEN 16-14</p> <p>Rx PIN 6-8 OPEN 11-9</p> <p>LEAKAGE INDUCTANCE, <math>L_L</math></p> <p>Tx PIN 1-3 SHORT 16-14</p> <p>Rx PIN 6-8 SHORT 11-9</p> <p>INTERWINDING CAPACITANCE, <math>C_w/w</math></p> <p>Tx PIN 1-3 TO 16-14</p> <p>Rx PIN 6-8 TO 11-9</p> <p>DCR</p> <p>PIN (1-3) ; (6-8)</p> <p>INSERTION LOSS</p> <p>1 MHz TO 100 MHz</p> <p>RETURN LOSS</p> <p>1 MHz - 30 MHz</p> <p>30 MHz - 60 MHz</p> <p>60 MHz - 80 MHz</p> <p>COMMON TO DIFFERENTIAL</p> <p>100 kHz - 100 MHz</p> <p>CROSSTALK</p> <p>100 kHz - 100 MHz</p> <p>HIPOT</p>	<p>1CT : 1CT</p> <p>1CT : 1CT</p> <p>350 <math>\mu</math>H MIN.</p> <p>@ 100kHz, 100mVrms</p> <p>WITH 8mA DC BIAS</p> <p>0.30 <math>\mu</math>H MAX.</p> <p>@ 1MHz, 20mV</p> <p>30 pF MAX.</p> <p>@ 1MHz, 20mV</p> <p>1.1 <math>\Omega</math>m MAX.</p> <p>1.2 dB MAX.</p> <p>18 dB MIN.</p> <p>18-20 LOG (f/30MHz)</p> <p>12 dB MIN.</p> <p>35 dB MIN.</p> <p>35 dB MIN.</p> <p>LEAKAGE CURRENT LESS THAN 1mA AT 1500VAC</p>
---	---

REV. : A PAGE : 2

ORIGINATED BY	DATE
Alice Pang	2021-01-26
DRAWN BY	DATE
ZC Guo	2021-01-26

TITLE
VOIP INTERFACE MODULE
S558-5500-25-F

PART NO. / DRAWING NO.
S558-5500-25-F
FILE NAME
S558550025FA.DWG

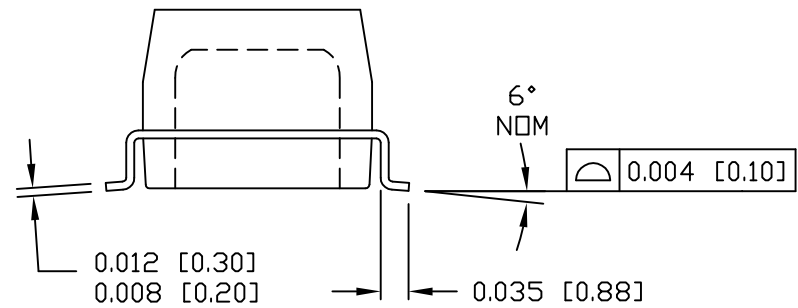
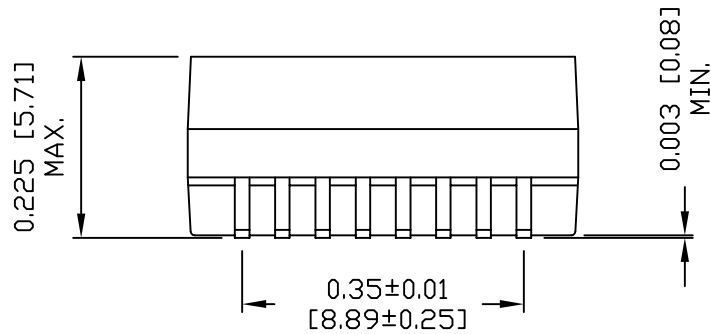
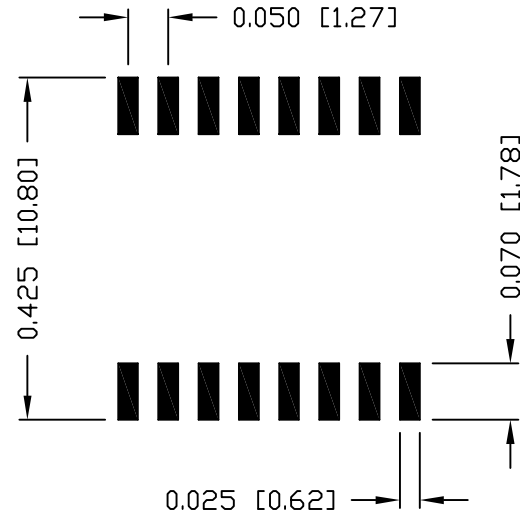
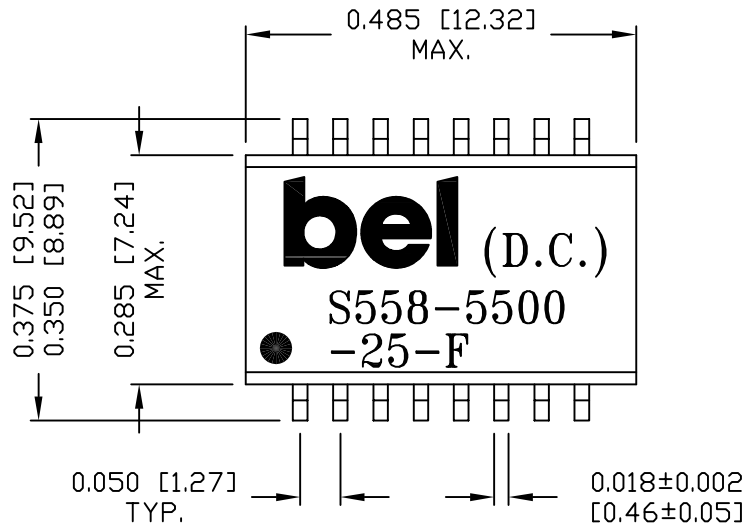
STANDARD DIM.	[ ] METRIC DIM. AS REF.
TOL. IN INCH	UNIT : INCH [mm]
.X	SCALE : N/A
.XX	SIZE : A4
.XXX	



THE INFORMATION CONTAINED HEREIN IS CONSIDERED "PROPRIETARY" TO BEL FUSE INC. AND SHALL NOT BE COPIED, REPRODUCED OR DISCLOSED WITHOUT THE WRITTEN APPROVAL OF BEL FUSE INC.



SUGGESTED PCB PAD LAYOUT



NOTES:

1. STANDARD MARKING REFER TO DOC. HAND-WORK-04.
2. PACKAGE CODE: "QBS001".

ORIGINATED BY	DATE
Lawrence Tsang	2021-01-26
DRAWN BY	DATE
ZC Guo	2021-01-26

TITLE
MECHANICAL DRAWING
S558-5500-25-F

PART NO. / DRAWING NO.
S558-5500-25-F
FILE NAME
S558550025FA.DWG

STANDARD DIM.	[ ] METRIC DIM. AS REF.
TOL. IN INCH	
.X	
.XX	±0.01
.XXX	±0.005

UNIT : INCH [mm]
SCALE : N/A
SIZE : A4

REV. : A	PAGE : 3
<p>POWER   PROTECT   CONNECT</p>	